

E230



CRANK HANDLE WITH HEXAGONAL HOLE AND REVOLVING HANDLE

Material:

Reinforced polyamide.
Resistant to oils and greases.

Surface finish:

Satin.

Colour:

Black (RAL 9011).

Central cap:

Grey polyamide (RAL 7035 code 13).

Alternative Cap colours:

Orange (RAL 2004 code 02).
Red (RAL 3000 code 16).
Blue (RAL 5015 code 07).
Green (RAL 6024 code 17).
Yellow (RAL 1021 code 10).
Black (RAL 9011 code 01).

Inserts:

Bush with hexagonal through hole in black oxide treated steel (hole tolerance H10).

Lateral insert:

Brass insert with threaded through hole.

Lateral handle:

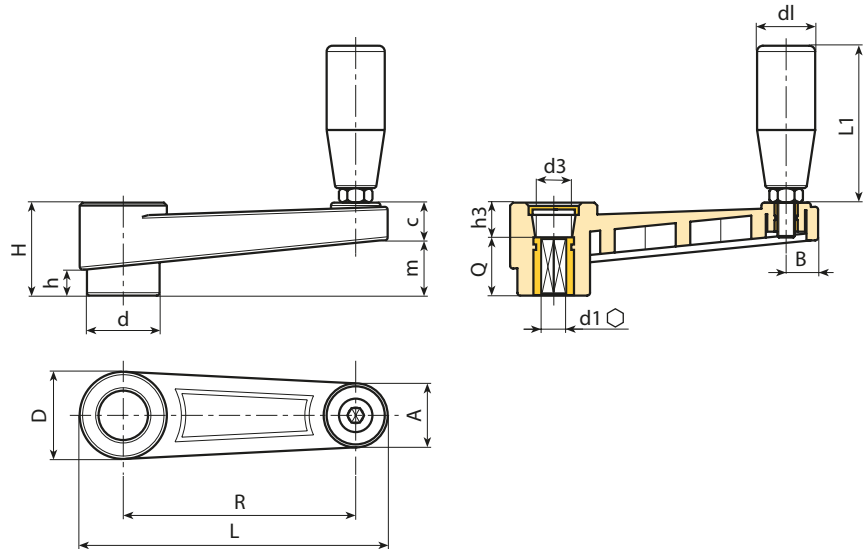
E230: Revolving handle art. M144 page ().

E231: Revolving handle art. M145 page ().

E232: Revolving handle art. M129 page ().

Special requests:

- Upon request and for special quantities inserts can be supplied in different materials/with different coatings.
- Upon request and for special quantities available in the colours indicated in the chart [page].



Stock availability as % (🛒)
90% (●) - 40% (●) - 5% (●)

🛒	Art.	L	R	H	D	d	m	c	A	B	h	d3	h3	d1 _{H10}	Q	dl	L1	g
●	E230065.TE0601P	88,5	65	30	27,5	22	17	13	20	9,5	8	14,5	10	6	20	19	54	96
●	E230065.TE0801P	88,5	65	30	27,5	22	17	13	20	9,5	8	14,5	10	8	20	19	54	93
●	E230080.TE1001P	107	80	33,5	32	26	20,5	13	23	11	9	19,5	9,5	10	24	19	54	105
●	E230080.TE1201P	107	80	33,5	32	26	20,5	13	23	11	9	19,5	9,5	12	24	19	54	103
●	E230110.TE1201P	140	110	39	35	29	22	14	24	12	11	19,5	11	12	28	21	66	152
●	E230110.TE1401P	140	110	39	35	29	22	14	24	12	11	19,5	11	14	28	21	66	149
●	E230140.TE1401P	175	140	49	44	35,5	32	17	27	13	15,5	24	19	14	30	23,5	76	242
●	E230140.TE1601P	175	140	49	44	35,5	32	17	27	13	15,5	24	19	16	30	23,5	76	238
●	E230185.TE1601P	223	185	55	47,5	40	38,5	16,5	27	14	17	29,5	19	16	34	25,5	87	385
●	E230185.TE1701P	223	185	55	47,5	40	38,5	16,5	27	14	17	29,5	19	17	34	25,5	87	385

Arbel Agencies LTD.



11 Ba'alei Hamelacha st. Qiryat Bialik P.O.B 1095, ZIP 2751311, ISRAEL
+972(0)48736969 ☎ +972(0)48730708 📠 info@arbel-ltd.com 📧 www.arbel-ltd.com 🌐



E231



CRANK HANDLE WITH HEXAGONAL HOLE AND REVOLVING HANDLE

M145

General features:

All unspecified features are identical to basic item E230.

Inserts:

Bush with hexagonal through hole in black oxide treated steel (hole tolerance H10).

Lateral handle:

Revolving handle art. M145 [page].



🛒	Art.	L	R	H	D	d	m	c	A	B	h	d3	h3	d1H10	Q	dl	L1	⚖️
●	E231065.TE0601P	89	65	30	27,5	22	17	13	20	9,5	8	14,5	10	6	20	20	56	111
●	E231065.TE0801P	89	65	30	27,5	22	17	13	20	9,5	8	14,5	10	8	20	20	56	108
●	E231080.TE1001P	107	80	33,5	32	26	20,5	13	23	11	9	19,5	9,5	10	24	20	56	130
●	E231080.TE1201P	107	80	33,5	32	26	20,5	13	23	11	9	19,5	9,5	12	24	20	56	128
●	E231110.TE1201P	140	110	39	35	29	22	14	24	12	11	19,5	11	12	28	23,5	68	177
●	E231110.TE1401P	140	110	39	35	29	22	14	24	12	11	19,5	11	14	28	23,5	68	173
●	E231140.TE1401P	175	140	49	44	35,5	32	17	27	13	15,5	24	19	14	30	25	77	267
●	E231140.TE1601P	175	140	49	44	35,5	32	17	27	13	15,5	24	19	16	30	25	77	262
●	E231185.TE1601P	223	185	55	47,5	40	38,5	16,5	27	14	17	29,5	19	16	34	26	86	400
●	E231185.TE1701P	223	185	55	47,5	40	38,5	16,5	27	14	17	29,5	19	17	34	26	86	398

E232



CRANK HANDLE WITH HEXAGONAL HOLE AND REVOLVING HANDLE

M129

General features:

All unspecified features are identical to basic item E230.

Inserts:

Bush with hexagonal through hole in black oxide treated steel (hole tolerance H10).

Lateral handle:

Revolving handle art. M129 [page].



Stock availability as % (🛒)
90% (●) - 40% (●) - 5% (●)

🛒	Art.	L	R	H	D	d	m	c	A	B	h	d3	h3	d1H10	Q	dl	L1	⚖️
●	E232065.TE0601P	89	65	30	27,5	22	17	13	20	9,5	8	14,5	10	6	20	20	52	101
●	E232065.TE0801P	89	65	30	27,5	22	17	13	20	9,5	8	14,5	10	8	20	20	52	98
●	E232080.TE1001P	107	80	33,5	32	26	20,5	13	23	11	9	19,5	9,5	10	24	20	52	120
●	E232080.TE1201P	107	80	33,5	32	26	20,5	13	23	11	9	19,5	9	12	24	20	52	118
●	E232110.TE1201P	140	110	39	35	29	22	14	24	12	11	19,5	11	12	28	23,5	63	167
●	E232110.TE1401P	140	110	39	35	29	22	14	24	12	11	19,5	11	14	28	23,5	63	163
●	E232140.TE1401P	175	140	49	44	35,5	32	17	27	13	15,5	24	19	14	30	25	72	257
●	E232140.TE1601P	175	140	49	44	35,5	32	17	27	13	15,5	24	19	16	30	25	72	252
●	E232185.TE1601P	223	185	55	47,5	40	38,5	16,5	27	14	17	29,5	21	16	34	26	82	390
●	E232185.TE1701P	223	185	55	47,5	40	38,5	16,5	27	14	17	29,5	21	17	34	26	82	390