

E230



CRANK HANDLE WITH HEXAGONAL HOLE AND REVOLVING HANDLE

Material:

Reinforced polyamide.
Resistant to oils and greases.

Surface finish:

Satin.

Colour:

Black (RAL 9011).

Central cap:

Grey polyamide (RAL 7035 code 13).

Alternative Cap colours:

Orange (RAL 2004 code 02).
Red (RAL 3000 code 16).
Blue (RAL 5015 code 07).
Green (RAL 6024 code 17).
Yellow (RAL 1021 code 10).
Black (RAL 9011 code 01).

Inserts:

Bush with hexagonal through hole in black oxide treated steel (hole tolerance H10).

Lateral insert:

Brass insert with threaded through hole.

Lateral handle:

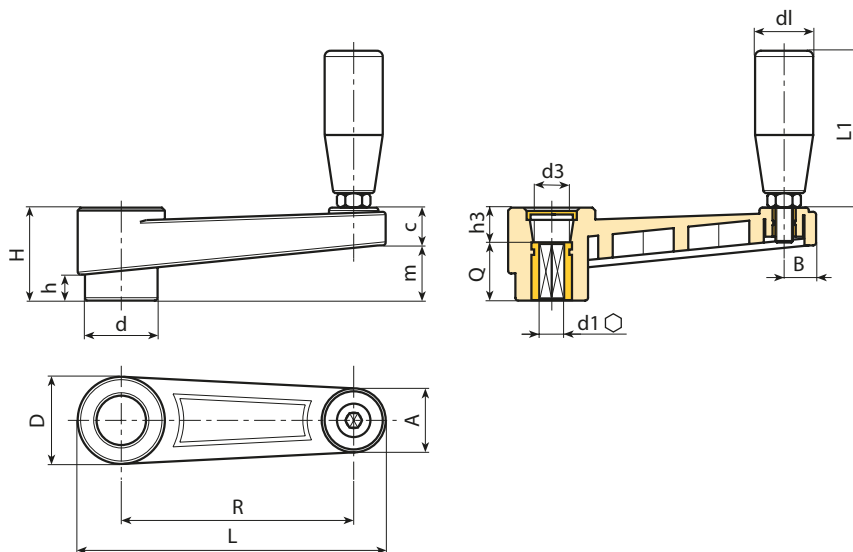
E230: Revolving handle art. M144 page ().

E231: Revolving handle art. M145 page ().

E232: Revolving handle art. M129 page ().

Special requests:

- Upon request and for special quantities inserts can be supplied in different materials/with different coatings.
- Upon request and for special quantities available in the colours indicated in the chart [page].



Stock availability as % (🛒)
90% (●) - 40% (●) - 5% (●)

| 🛒 | Art. | L | R | H | D | d | m | c | A | B | h | d3 | h3 | d1 _{H10} | Q | dl | L1 | g |
|---|-----------------|------|-----|------|------|------|------|------|----|-----|------|------|-----|-------------------|----|------|----|-----|
| ● | E230065.TE0601P | 88,5 | 65 | 30 | 27,5 | 22 | 17 | 13 | 20 | 9,5 | 8 | 14,5 | 10 | 6 | 20 | 19 | 54 | 96 |
| ● | E230065.TE0801P | 88,5 | 65 | 30 | 27,5 | 22 | 17 | 13 | 20 | 9,5 | 8 | 14,5 | 10 | 8 | 20 | 19 | 54 | 93 |
| ● | E230080.TE1001P | 107 | 80 | 33,5 | 32 | 26 | 20,5 | 13 | 23 | 11 | 9 | 19,5 | 9,5 | 10 | 24 | 19 | 54 | 105 |
| ● | E230080.TE1201P | 107 | 80 | 33,5 | 32 | 26 | 20,5 | 13 | 23 | 11 | 9 | 19,5 | 9,5 | 12 | 24 | 19 | 54 | 103 |
| ● | E230110.TE1201P | 140 | 110 | 39 | 35 | 29 | 22 | 14 | 24 | 12 | 11 | 19,5 | 11 | 12 | 28 | 21 | 66 | 152 |
| ● | E230110.TE1401P | 140 | 110 | 39 | 35 | 29 | 22 | 14 | 24 | 12 | 11 | 19,5 | 11 | 14 | 28 | 21 | 66 | 149 |
| ● | E230140.TE1401P | 175 | 140 | 49 | 44 | 35,5 | 32 | 17 | 27 | 13 | 15,5 | 24 | 19 | 14 | 30 | 23,5 | 76 | 242 |
| ● | E230140.TE1601P | 175 | 140 | 49 | 44 | 35,5 | 32 | 17 | 27 | 13 | 15,5 | 24 | 19 | 16 | 30 | 23,5 | 76 | 238 |
| ● | E230185.TE1601P | 223 | 185 | 55 | 47,5 | 40 | 38,5 | 16,5 | 27 | 14 | 17 | 29,5 | 19 | 16 | 34 | 25,5 | 87 | 385 |
| ● | E230185.TE1701P | 223 | 185 | 55 | 47,5 | 40 | 38,5 | 16,5 | 27 | 14 | 17 | 29,5 | 19 | 17 | 34 | 25,5 | 87 | 385 |

Arbel Agencies LTD.



11 Ba'alei Hamelacha st. Qiryat Bialik P.O.B 1095, ZIP 2751311, ISRAEL
+972(0)48736969 ☎ +972(0)48730708 📠 info@arbel-ltd.com 📧 www.arbel-ltd.com 🌐



E231



CRANK HANDLE WITH HEXAGONAL HOLE AND REVOLVING HANDLE

M145

General features:

All unspecified features are identical to basic item E230.

Inserts:

Bush with hexagonal through hole in black oxide treated steel (hole tolerance H10).

Lateral handle:

Revolving handle art. M145 [page].



| 🛒 | Art. | L | R | H | D | d | m | c | A | B | h | d3 | h3 | d1H10 | Q | dl | L1 | 📐 |
|---|-----------------|-----|-----|------|------|------|------|------|----|-----|------|------|-----|-------|----|------|----|-----|
| ● | E231065.TE0601P | 89 | 65 | 30 | 27,5 | 22 | 17 | 13 | 20 | 9,5 | 8 | 14,5 | 10 | 6 | 20 | 20 | 56 | 111 |
| ● | E231065.TE0801P | 89 | 65 | 30 | 27,5 | 22 | 17 | 13 | 20 | 9,5 | 8 | 14,5 | 10 | 8 | 20 | 20 | 56 | 108 |
| ● | E231080.TE1001P | 107 | 80 | 33,5 | 32 | 26 | 20,5 | 13 | 23 | 11 | 9 | 19,5 | 9,5 | 10 | 24 | 20 | 56 | 130 |
| ● | E231080.TE1201P | 107 | 80 | 33,5 | 32 | 26 | 20,5 | 13 | 23 | 11 | 9 | 19,5 | 9,5 | 12 | 24 | 20 | 56 | 128 |
| ● | E231110.TE1201P | 140 | 110 | 39 | 35 | 29 | 22 | 14 | 24 | 12 | 11 | 19,5 | 11 | 12 | 28 | 23,5 | 68 | 177 |
| ● | E231110.TE1401P | 140 | 110 | 39 | 35 | 29 | 22 | 14 | 24 | 12 | 11 | 19,5 | 11 | 14 | 28 | 23,5 | 68 | 173 |
| ● | E231140.TE1401P | 175 | 140 | 49 | 44 | 35,5 | 32 | 17 | 27 | 13 | 15,5 | 24 | 19 | 14 | 30 | 25 | 77 | 267 |
| ● | E231140.TE1601P | 175 | 140 | 49 | 44 | 35,5 | 32 | 17 | 27 | 13 | 15,5 | 24 | 19 | 16 | 30 | 25 | 77 | 262 |
| ● | E231185.TE1601P | 223 | 185 | 55 | 47,5 | 40 | 38,5 | 16,5 | 27 | 14 | 17 | 29,5 | 19 | 16 | 34 | 26 | 86 | 400 |
| ● | E231185.TE1701P | 223 | 185 | 55 | 47,5 | 40 | 38,5 | 16,5 | 27 | 14 | 17 | 29,5 | 19 | 17 | 34 | 26 | 86 | 398 |

E232



CRANK HANDLE WITH HEXAGONAL HOLE AND REVOLVING HANDLE

M129

General features:

All unspecified features are identical to basic item E230.

Inserts:

Bush with hexagonal through hole in black oxide treated steel (hole tolerance H10).

Lateral handle:

Revolving handle art. M129 [page].



Stock availability as % (🛒)
90% (●) - 40% (●) - 5% (●)

| 🛒 | Art. | L | R | H | D | d | m | c | A | B | h | d3 | h3 | d1H10 | Q | dl | L1 | 📐 |
|---|-----------------|-----|-----|------|------|------|------|------|----|-----|------|------|-----|-------|----|------|----|-----|
| ● | E232065.TE0601P | 89 | 65 | 30 | 27,5 | 22 | 17 | 13 | 20 | 9,5 | 8 | 14,5 | 10 | 6 | 20 | 20 | 52 | 101 |
| ● | E232065.TE0801P | 89 | 65 | 30 | 27,5 | 22 | 17 | 13 | 20 | 9,5 | 8 | 14,5 | 10 | 8 | 20 | 20 | 52 | 98 |
| ● | E232080.TE1001P | 107 | 80 | 33,5 | 32 | 26 | 20,5 | 13 | 23 | 11 | 9 | 19,5 | 9,5 | 10 | 24 | 20 | 52 | 120 |
| ● | E232080.TE1201P | 107 | 80 | 33,5 | 32 | 26 | 20,5 | 13 | 23 | 11 | 9 | 19,5 | 9 | 12 | 24 | 20 | 52 | 118 |
| ● | E232110.TE1201P | 140 | 110 | 39 | 35 | 29 | 22 | 14 | 24 | 12 | 11 | 19,5 | 11 | 12 | 28 | 23,5 | 63 | 167 |
| ● | E232110.TE1401P | 140 | 110 | 39 | 35 | 29 | 22 | 14 | 24 | 12 | 11 | 19,5 | 11 | 14 | 28 | 23,5 | 63 | 163 |
| ● | E232140.TE1401P | 175 | 140 | 49 | 44 | 35,5 | 32 | 17 | 27 | 13 | 15,5 | 24 | 19 | 14 | 30 | 25 | 72 | 257 |
| ● | E232140.TE1601P | 175 | 140 | 49 | 44 | 35,5 | 32 | 17 | 27 | 13 | 15,5 | 24 | 19 | 16 | 30 | 25 | 72 | 252 |
| ● | E232185.TE1601P | 223 | 185 | 55 | 47,5 | 40 | 38,5 | 16,5 | 27 | 14 | 17 | 29,5 | 21 | 16 | 34 | 26 | 82 | 390 |
| ● | E232185.TE1701P | 223 | 185 | 55 | 47,5 | 40 | 38,5 | 16,5 | 27 | 14 | 17 | 29,5 | 21 | 17 | 34 | 26 | 82 | 390 |