

# E224



## CRANK HANDLE WITH HEXAGONAL STUD AND REVOLVING HANDLE

### Material:

Reinforced polyamide.  
Resistant to oils and greases.

### Surface finish:

Satin.

### Colour:

Black (RAL 9011).

### Central cap:

Grey polyamide (RAL 7035 code 13).

### Alternative Cap colours:

Orange (RAL 2004 code 02).  
Red (RAL 3000 code 16).  
Blue (RAL 5015 code 07).  
Green (RAL 6024 code 17).  
Yellow (RAL 1021 code 10).  
Black (RAL 9011 code 01).

### Inserts:

Hexagonal stud in galvanised steel (hexagon tolerance H9).

### Lateral insert:

Brass insert with threaded through hole.

### Lateral handle:

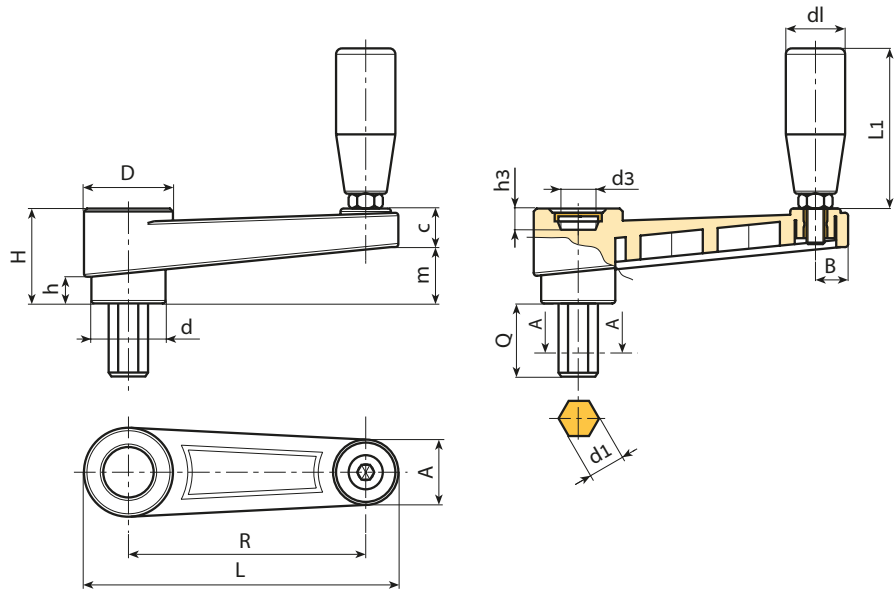
E224: Revolving handle art. M144 page ( ).

E226: Revolving handle art. M145 page ( ).

E227: Revolving handle art. M129 page ( ).

### Special requests:

- Upon request and for special quantities inserts can be supplied with customised lengths.
- Upon request and for special quantities inserts can be supplied in different materials.
- Upon request and for special quantities available in the colours indicated in the chart [page ].



Stock availability as % (🛒)  
90% (●) - 40% (●) - 5% (●)

🛒	Art.	L	R	H	D	d	m	c	A	B	h	d3	h3	d1 <sub>H10</sub>	Q	LM	dl	L1	📦
●	E224065.TE06X..01	88	65	30	27	22	17	13	18	9.5	8	14	10	6	A.R.	60	20	56	-
●	E224065.TE07X..01	88	65	30	27	22	17	13	18	9.5	8	14	10	7	A.R.	60	20	56	-
●	E224080.TE07X..01	106	80	33	30	26	19	13	21.5	11	9	18	9	7	A.R.	100	20	56	-
●	E224080.TE08X..01	106	80	33	30	26	19	13	21.5	11	9	18	9	8	A.R.	100	20	56	-
●	E224110.TE08X..01	138	110	39	33	29	22	14	22	12	11	18	11	8	A.R.	90	21	66	-
●	E224110.TE09X..01	138	110	39	33	29	22	14	22	12	11	18	11	9	A.R.	90	21	66	-
●	E224140.TE09X..01	174	140	49	41	35	34	16	25.5	13.5	15	22	19	9	A.R.	110	23	76	-
●	E224140.TE10X..01	174	140	49	41	35	34	16	25.5	13.5	15	22	19	10	A.R.	110	23	76	-

Enter the selected stud length in place of the two dots . . in the item code.

A.R. = Upon request, for a minimum of 100 pieces.

LM = Maximum mouldable length.



Arbel Agencies LTD.

11 Ba'alei Hamelacha st. Qiryat Bialik P.O.B 1095, ZIP 2751311, ISRAEL

+972(0)48736969 ☎ +972(0)48730708 📠 info@arbel-ltd.com 📧 www.arbel-ltd.com 🌐



# E226



## CRANK HANDLE WITH HEXAGONAL STUD AND REVOLVING HANDLE

### M145

**General features:**

All unspecified features are identical to basic item E224.

**Inserts:**

Hexagonal stud in galvanised steel (hexagon tolerance H9).

**Lateral handle:**

Revolving handle art. M145 [page ].



🛒	Art.	L	R	H	D	d	m	c	A	B	h	d3	h3	d1H10	Q	LM	dl	L1	g
●	E226065.TE06X..01	88	65	30	27	22	17	13	18	9.5	8	14	10	6	A.R.	60	20	56	-
●	E226065.TE07X..01	88	65	30	27	22	17	13	18	9.5	8	14	10	7	A.R.	60	20	56	-
●	E226080.TE07X..01	106	80	33	30	26	19	13	21.5	11	9	18	9	7	A.R.	100	20	56	-
●	E226080.TE08X..01	106	80	33	30	26	19	13	21.5	11	9	18	9	8	A.R.	100	20	56	-
●	E226110.TE08X..01	138	110	39	33	29	22	14	22	12	11	18	11	8	A.R.	90	21	66	-
●	E226110.TE09X..01	138	110	39	33	29	22	14	22	12	11	18	11	9	A.R.	90	21	66	-
●	E226140.TE09X..01	174	140	49	41	35	34	16	25.5	13.5	15	22	19	9	A.R.	110	23	76	-
●	E226140.TE10X..01	174	140	49	41	35	34	16	25.5	13.5	15	22	19	10	A.R.	110	23	76	-

Enter the selected stud length in place of the two dots . . in the item code.

A.R. = Upon request, for a minimum of 100 pieces.

LM = Maximum mouldable length.

# E227



## CRANK HANDLE WITH HEXAGONAL STUD AND REVOLVING HANDLE

### M129

**General features:**

All unspecified features are identical to basic item E224.

**Inserts:**

Hexagonal stud in galvanised steel (hexagon tolerance H9).

**Lateral handle:**

Revolving handle art. M129 [page ].



Stock availability as % (🛒)  
90% (●) - 40% (●) - 5% (●)

🛒	Art.	L	R	H	D	d	m	c	A	B	h	d3	h3	d1H10	Q	LM	dl	L1	g
●	E227065.TE06X..01	88	65	30	27	22	17	13	18	9.5	8	14	10	6	A.R.	60	20	56	-
●	E227065.TE07X..01	88	65	30	27	22	17	13	18	9.5	8	14	10	7	A.R.	60	20	56	-
●	E227080.TE07X..01	106	80	33	30	26	19	13	21.5	11	9	18	9	7	A.R.	100	20	56	-
●	E227080.TE08X..01	106	80	33	30	26	19	13	21.5	11	9	18	9	8	A.R.	100	20	56	-
●	E227110.TE08X..01	138	110	39	33	29	22	14	22	12	11	18	11	8	A.R.	90	21	66	-
●	E227110.TE09X..01	138	110	39	33	29	22	14	22	12	11	18	11	9	A.R.	90	21	66	-
●	E227140.TE09X..01	174	140	49	41	35	34	16	25.5	13.5	15	22	19	9	A.R.	110	23	76	-
●	E227140.TE10X..01	174	140	49	41	35	34	16	25.5	13.5	15	22	19	10	A.R.	110	23	76	-

Enter the selected stud length in place of the two dots . . in the item code.

A.R. = Upon request, for a minimum of 100 pieces.

LM = Maximum mouldable length.