

E224



CRANK HANDLE WITH HEXAGONAL STUD AND REVOLVING HANDLE

Material:

Reinforced polyamide.
Resistant to oils and greases.

Surface finish:

Satin.

Colour:

Black (RAL 9011).

Central cap:

Grey polyamide (RAL 7035 code 13).

Alternative Cap colours:

Orange (RAL 2004 code 02).
Red (RAL 3000 code 16).
Blue (RAL 5015 code 07).
Green (RAL 6024 code 17).
Yellow (RAL 1021 code 10).
Black (RAL 9011 code 01).

Inserts:

Hexagonal stud in galvanised steel (hexagon tolerance H9).

Lateral insert:

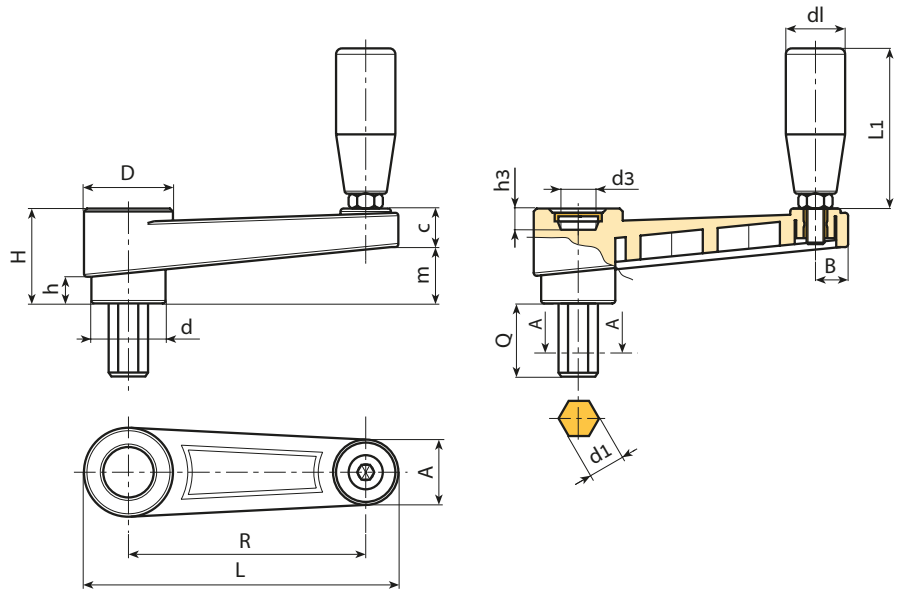
Brass insert with threaded through hole.

Lateral handle:

E224: Revolving handle art. M144 page (.).
E226: Revolving handle art. M145 page (.).
E227: Revolving handle art. M129 page (.).

Special requests:

- Upon request and for special quantities inserts can be supplied with customised lengths.
- Upon request and for special quantities inserts can be supplied in different materials.
- Upon request and for special quantities available in the colours indicated in the chart [page].



Stock availability as % (🛒)
90% (●) - 40% (●) - 5% (●)

🛒	Art.	L	R	H	D	d	m	c	A	B	h	d3	h3	d1 _{H10}	Q	LM	d1	L1	📦
●	E224065.TE06X..01	88	65	30	27	22	17	13	18	9.5	8	14	10	6	A.R.	60	20	56	-
●	E224065.TE07X..01	88	65	30	27	22	17	13	18	9.5	8	14	10	7	A.R.	60	20	56	-
●	E224080.TE07X..01	106	80	33	30	26	19	13	21.5	11	9	18	9	7	A.R.	100	20	56	-
●	E224080.TE08X..01	106	80	33	30	26	19	13	21.5	11	9	18	9	8	A.R.	100	20	56	-
●	E224110.TE08X..01	138	110	39	33	29	22	14	22	12	11	18	11	8	A.R.	90	21	66	-
●	E224110.TE09X..01	138	110	39	33	29	22	14	22	12	11	18	11	9	A.R.	90	21	66	-
●	E224140.TE09X..01	174	140	49	41	35	34	16	25.5	13.5	15	22	19	9	A.R.	110	23	76	-
●	E224140.TE10X..01	174	140	49	41	35	34	16	25.5	13.5	15	22	19	10	A.R.	110	23	76	-

Enter the selected stud length in place of the two dots . . in the item code.

A.R. = Upon request, for a minimum of 100 pieces.

LM = Maximum mouldable length.



Arbel Agencies LTD.

11 Ba'alei Hamelacha st. Qiryat Bialik P.O.B 1095, ZIP 2751311, ISRAEL

+972(0)48736969 ☎ +972(0)48730708 📠 info@arbel-ltd.com 📧 www.arbel-ltd.com 🌐



E226



CRANK HANDLE WITH HEXAGONAL STUD AND REVOLVING HANDLE

M145

General features:

All unspecified features are identical to basic item E224.

Inserts:

Hexagonal stud in galvanised steel (hexagon tolerance H9).

Lateral handle:

Revolving handle art. M145 [page].



🛒	Art.	L	R	H	D	d	m	c	A	B	h	d3	h3	d1H10	Q	LM	dl	L1	g
●	E226065.TE06X..01	88	65	30	27	22	17	13	18	9.5	8	14	10	6	A.R.	60	20	56	-
●	E226065.TE07X..01	88	65	30	27	22	17	13	18	9.5	8	14	10	7	A.R.	60	20	56	-
●	E226080.TE07X..01	106	80	33	30	26	19	13	21.5	11	9	18	9	7	A.R.	100	20	56	-
●	E226080.TE08X..01	106	80	33	30	26	19	13	21.5	11	9	18	9	8	A.R.	100	20	56	-
●	E226110.TE08X..01	138	110	39	33	29	22	14	22	12	11	18	11	8	A.R.	90	21	66	-
●	E226110.TE09X..01	138	110	39	33	29	22	14	22	12	11	18	11	9	A.R.	90	21	66	-
●	E226140.TE09X..01	174	140	49	41	35	34	16	25.5	13.5	15	22	19	9	A.R.	110	23	76	-
●	E226140.TE10X..01	174	140	49	41	35	34	16	25.5	13.5	15	22	19	10	A.R.	110	23	76	-

Enter the selected stud length in place of the two dots . . in the item code.

A.R. = Upon request, for a minimum of 100 pieces.

LM = Maximum mouldable length.

E227



CRANK HANDLE WITH HEXAGONAL STUD AND REVOLVING HANDLE

M129

General features:

All unspecified features are identical to basic item E224.

Inserts:

Hexagonal stud in galvanised steel (hexagon tolerance H9).

Lateral handle:

Revolving handle art. M129 [page].



🛒	Art.	L	R	H	D	d	m	c	A	B	h	d3	h3	d1H10	Q	LM	dl	L1	g
●	E227065.TE06X..01	88	65	30	27	22	17	13	18	9.5	8	14	10	6	A.R.	60	20	56	-
●	E227065.TE07X..01	88	65	30	27	22	17	13	18	9.5	8	14	10	7	A.R.	60	20	56	-
●	E227080.TE07X..01	106	80	33	30	26	19	13	21.5	11	9	18	9	7	A.R.	100	20	56	-
●	E227080.TE08X..01	106	80	33	30	26	19	13	21.5	11	9	18	9	8	A.R.	100	20	56	-
●	E227110.TE08X..01	138	110	39	33	29	22	14	22	12	11	18	11	8	A.R.	90	21	66	-
●	E227110.TE09X..01	138	110	39	33	29	22	14	22	12	11	18	11	9	A.R.	90	21	66	-
●	E227140.TE09X..01	174	140	49	41	35	34	16	25.5	13.5	15	22	19	9	A.R.	110	23	76	-
●	E227140.TE10X..01	174	140	49	41	35	34	16	25.5	13.5	15	22	19	10	A.R.	110	23	76	-

Stock availability as % (🛒)
90% (●) - 40% (●) - 5% (●)

Enter the selected stud length in place of the two dots . . in the item code.

A.R. = Upon request, for a minimum of 100 pieces.

LM = Maximum mouldable length.