

E215



CRANK HANDLE WITH THREADED INSERT AND REVOLVING HANDLE

Material:

Reinforced polyamide.
Resistant to oils and greases.

Surface finish:

Satin.

Colour:

Black (RAL 9011).

Central cap:

Grey polyamide (RAL 7035 code 13).

Alternative Cap colours:

Orange (RAL 2004 code 02).
Red (RAL 3000 code 16).
Blue (RAL 5015 code 07).
Green (RAL 6024 code 17).
Yellow (RAL 1021 code 10).
Black (RAL 9011 code 01).

Inserts:

Brass insert with female threaded hole (thread tolerance 6H).

(*) Galvanised steel insert with female threaded hole (thread tolerance 6H).

Lateral insert:

Brass insert with threaded through hole.

Lateral handle:

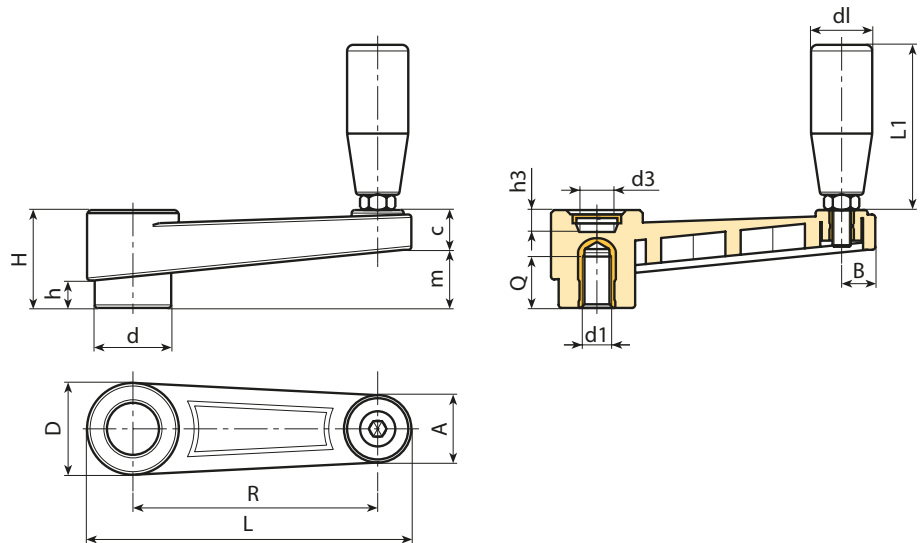
E215: Revolving handle art. M144 page ().

E219: Revolving handle art. M129 page ().

E220: Revolving handle art. M145 page ().

Special requests:

- Upon request and for special quantities inserts can be supplied in different materials.
- Upon request and for special quantities available in the colours indicated in the chart [page].



Stock availability as % (🛒)
90% (●) - 40% (●) - 5% (●)

🛒	Art.	L	R	H	D	d	m	c	A	B	h	d3	h3	d1 _{6H}	Q	dl	L1	📦
●	E215065.TM0801	88,5	65	30	27,5	22	17	13	20	9,5	8	14,5	10	M8	13	19	54	67
●	E215065.TM1001	88,5	65	30	27,5	22	17	13	20	9,5	8	14,5	10	M10	13	19	54	70
●	E215065.TM1201	88,5	65	30	27,5	22	17	13	20	9,5	8	14,5	10	M12	13	19	54	73
●	E215080.TM0801	107	80	33,5	32	26	20,5	13	23	11	9	19,5	9,5	M8	13	19	54	83
●	E215080.TM1001	107	80	33,5	32	26	20,5	13	23	11	9	19,5	9,5	M10	13	19	54	87
●	E215080.TM1201	107	80	33,5	32	26	20,5	13	23	11	9	19,5	9,5	M12	13	19	54	90
●	E215110.TM1001	140	110	39	35	29	25	14	24	12	11	19,5	11	M10	13	21	66	135
●	E215110.TM1201	140	110	39	35	29	25	14	24	12	11	19,5	11	M12	17	21	66	137
●	E215110.TM1401	140	110	39	35	29	25	14	24	12	11	19,5	11	M14	17	21	66	140
●	E215140.TM1201	175	140	49	44	35,5	32	17	27	13	15,5	24	19	M12	17	23,5	76	238
●	E215140.TM1401	175	140	49	44	35,5	32	17	27	13	15,5	24	19	M14	17	23,5	76	223
●	E215140.TM1601	175	140	49	44	35,5	32	17	27	13	15,5	24	19	(*)M16	17	23,5	76	251
●	E215185.TM1201	223	185	55	47,5	40	38,5	16,5	27	14	17	29,5	21	M12	17	25,5	87	312
●	E215185.TM1401	223	185	55	47,5	40	38,5	16,5	27	14	17	29,5	21	M14	17	25,5	87	320
●	E215185.TM1601	223	185	55	47,5	40	38,5	16,5	27	14	17	29,5	21	(*)M16	17	25,5	87	331

Arbel Agencies LTD.



11 Ba'alei Hamelacha st. Qiryat Bialik P.O.B 1095, ZIP 2751311, ISRAEL
+972(0)48736969 ☎ +972(0)48730708 📠 info@arbel-ltd.com 📧 www.arbel-ltd.com 🌐



E219



CRANK HANDLE WITH THREADED INSERT AND REVOLVING HANDLE

M129

General features:

All unspecified features are identical to basic item E215.

Inserts:

Brass insert with female threaded hole (thread tolerance 6H).

(*) Galvanised steel insert with female threaded hole (thread tolerance 6H).

Lateral handle:

Revolving handle art. M129 page ().



🛒	Art.	L	R	H	D	d	m	c	A	B	h	d3	h3	d16H	Q	dl	L1	g
●	E219065.TM0801	89	65	30	27,5	22	17	13	20	9,5	8	14,5	10	M8	13	20	52	79
●	E219065.TM1001	89	65	30	27,5	22	17	13	20	9,5	8	14,5	10	M10	13	20	52	82
●	E219065.TM1201	89	65	30	27,5	22	17	13	20	9,5	8	14,5	10	M12	13	20	52	85
●	E219080.TM0801	107	80	33,5	32	26	20,5	13	23	11	9	19,5	9,5	M8	13	20	52	95
●	E219080.TM1001	107	80	33,5	32	26	20,5	13	23	11	9	19,5	9,5	M10	13	20	52	99
●	E219080.TM1201	107	80	33,5	32	26	20,5	13	23	11	9	19,5	9,5	M12	13	20	52	102
●	E219110.TM1001	140	110	39	35	29	25	14	24	12	11	19,5	11	M10	13	23,5	63	150
●	E219110.TM1201	140	110	39	35	29	25	14	24	12	11	19,5	11	M12	17	23,5	63	160
●	E219110.TM1401	140	110	39	35	29	25	14	24	12	11	19,5	11	M14	17	23,5	63	165
●	E219140.TM1201	175	140	49	44	35,5	32	17	27	13	15,5	24	19	M12	17	25	72	262
●	E219140.TM1401	175	140	49	44	35,5	32	17	27	13	15,5	24	19	M14	17	25	72	249
●	E219140.TM1601	175	140	49	44	35,5	32	17	27	13	15,5	24	19	(*)M16	17	25	72	275
●	E219185.TM1201	223	185	55	47,5	40	38,5	16,5	27	14	17	29,5	21	M12	17	26	82	312
●	E219185.TM1401	223	185	55	47,5	40	38,5	16,5	27	14	17	29,5	21	M14	17	26	82	320
●	E219185.TM1601	223	185	55	47,5	40	38,5	16,5	27	14	17	29,5	21	(*)M16	17	26	82	331

E220



CRANK HANDLE WITH THREADED INSERT AND REVOLVING HANDLE

M145

General features:

All unspecified features are identical to basic item E215.

Inserts:

Brass insert with female threaded hole (thread tolerance 6H).

(*) Galvanised steel insert with female threaded hole (thread tolerance 6H).

Lateral handle:

Revolving handle art. M145 page page ().



Stock availability as % (🛒)
90% (●) - 40% (●) - 5% (●)

🛒	Art.	L	R	H	D	d	m	c	A	B	h	d3	h3	d16H	Q	dl	L1	g
●	E220065.TM0801	89	65	30	27,5	22	17	13	20	9,5	8	14,5	10	M8	13	20	56	69
●	E220065.TM1001	89	65	30	27,5	22	17	13	20	9,5	8	14,5	10	M10	13	20	56	72
●	E220065.TM1201	89	65	30	27,5	22	17	13	20	9,5	8	14,5	10	M12	13	20	56	75
●	E220080.TM0801	107	80	33,5	32	26	20,5	13	23	11	9	19,5	9,5	M8	13	20	56	85
●	E220080.TM1001	107	80	33,5	32	26	20,5	13	23	11	9	19,5	9,5	M10	13	20	56	89
●	E220080.TM1201	107	80	33,5	32	26	20,5	13	23	11	9	19,5	9,5	M12	13	20	56	92
●	E220110.TM1001	140	110	39	35	29	25	14	24	12	11	19,5	11	M10	13	23,5	68	149
●	E220110.TM1201	140	110	39	35	29	25	14	24	12	11	19,5	11	M12	17	23,5	68	151
●	E220110.TM1401	140	110	39	35	29	25	14	24	12	11	19,5	11	M14	17	23,5	68	154
●	E220140.TM1201	175	140	49	44	35,5	33	17	27	13	15,5	24	19	M12	17	25	77	228
●	E220140.TM1401	175	140	49	44	35,5	32	17	27	13	15,5	24	19	M14	17	25	77	213
●	E220140.TM1601	175	140	49	44	35,5	32	17	27	13	15,5	24	19	(*)M16	17	25	77	241
●	E220185.TM1201	223	185	55	47,5	40	38,5	16,5	27	14	17	29,5	21	M12	17	26	86	304
●	E220185.TM1401	223	185	55	47,5	40	38,5	16,5	27	14	17	29,5	21	M14	17	26	86	310
●	E220185.TM1601	223	185	55	47,5	40	38,5	16,5	27	14	17	29,5	21	(*)M16	17	26	86	321