

E217



CRANK HANDLE WITH SMOOTH BORE INSERT AND FOLDING HANDLE

Material:

Reinforced polyamide.
Resistant to oils and greases.

Surface finish:

Satin.

Colour:

Black (RAL 9011).

Central cap:

Grey polyamide (RAL 7035 code 13).

Alternative Cap colours:

Orange (RAL 2004 code 02).
Red (RAL 3000 code 16).
Blue (RAL 5015 code 07).
Green (RAL 6024 code 17).
Yellow (RAL 1021 code 10).
Black (RAL 9011 code 01).

Inserts:

Galvanised steel insert with smooth through bore (tolerance H10).

Lateral insert:

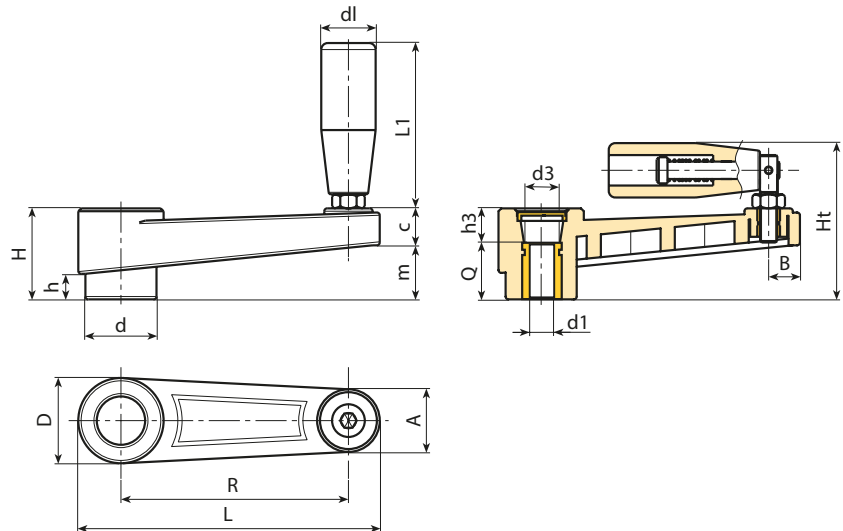
Brass insert with threaded through hole.

Lateral handle:

Revolving, folding handle art. M136 [page].

Special requests:

- Upon request and for special quantities inserts can be supplied with custom hole diameter d1.
- Upon request and for special quantities inserts can be supplied in different materials/with different coatings.
- Upon request and for special quantities available in the colours indicated in the chart [page].



Stock availability as % (🛒)
90% (●) - 40% (●) - 5% (●)

🛒	Art.	L	R	H	Ht	D	d	m	c	A	B	h	d3	h3	dm	d1 _{H10}	Q	dl	L1	🛒
●	E217065.TP0501	88,5	65	30	55	27,5	22	17	13	20	9,5	8	14,5	10	12	5	20	20	54	105
●	E217065.TD1001	88,5	65	30	55	27,5	22	17	13	20	9,5	8	14,5	10	12	10	20	20	54	100
●	E217065.TD1201	88,5	65	30	55	27,5	22	17	13	20	9,5	8	14,5	10	12	12	20	20	54	97
●	E217080.TP0501	107	80	33,5	58	32	26	20,5	13	23	11	9	19,5	9,5	14	5	24	20	54	115
●	E217080.TD1001	107	80	33,5	58	32	26	20,5	13	23	11	9	19,5	9,5	14	10	24	20	54	110
●	E217080.TD1201	107	80	33,5	58	32	26	20,5	13	23	11	9	19,5	9,5	14	12	24	20	54	107
●	E217110.TD0801	140	110	39	68	35	29	25	14	24	12	11	19,5	11	14	8	28	23,5	76	156
●	E217110.TD1001	140	110	39	68	35	29	25	14	24	12	11	19,5	11	14	10	28	23,5	76	153
●	E217110.TD1201	140	110	39	68	35	29	25	14	24	12	11	19,5	11	14	12	28	23,5	76	150
●	E217140.TD0801	175	140	49	84	44	35,5	32	17	27	13	15,5	24	19	20	8	30	26	89	300
●	E217140.TD1201	175	140	49	84	44	35,5	32	17	27	13	15,5	24	19	20	12	30	26	89	245
●	E217140.TD1401	175	140	49	84	44	35,5	32	17	27	13	15,5	24	19	20	14	30	26	89	242
●	E217140.TD1601	175	140	49	84	44	35,5	32	17	27	13	15,5	24	19	20	16	30	26	89	238
●	E217185.TD0801	223	185	55	90	47,5	40	38,5	16,5	27	14	17	29,5	21	22	8	34	26	97	450
●	E217185.TD1201	223	185	55	90	47,5	40	38,5	16,5	27	14	17	29,5	21	22	12	34	26	97	445

Attention: For a minimum of 50 pieces the diameter d1 can be customised (hole tolerance H10 galvanised and H7 black-oxide treated).
Dm = Maximum obtainable diameter for subsequent machining (widening).

Arbel Agencies LTD.



11 Ba'alei Hamelacha st. Qiryat Bialik P.O.B 1095, ZIP 2751311, ISRAEL
+972(0)48736969 ☎ +972(0)48730708 📠 info@arbel-ltd.com 📧 www.arbel-ltd.com 🌐

