

DFLAN



LOCKING FLANGE FOR POSITIONING (ACCESSORY FOR ART. D601-D602-D603-D604)

Materials:
Impact resistant polystyrene.

Surface finish:
Smooth.

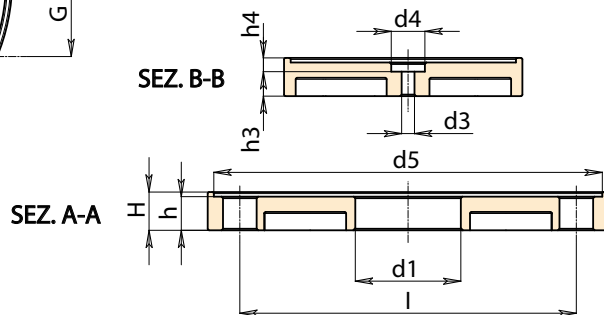
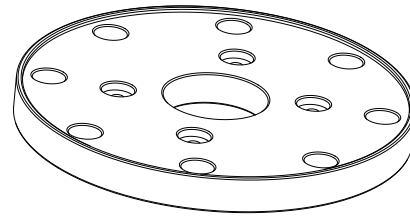
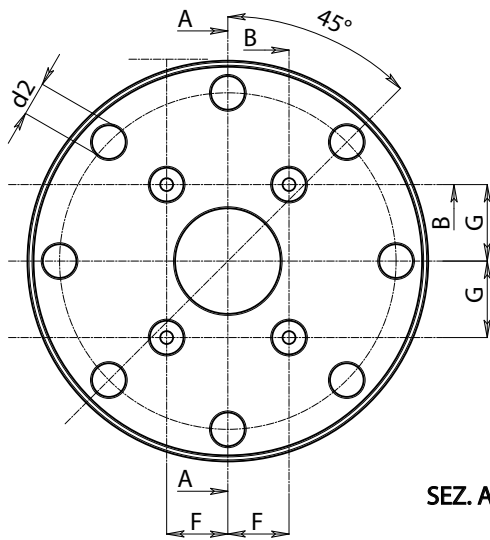
Colour:
Black (RAL 9011).

Holes:
Holes obtained by moulding the plastic. Holes marked d2 cannot be modified. It is possible to change both the diameter and the positioning of holes marked d1, d3, d4.

Fixing method:
Use the 4 central holes d3. Screws not supplied.

Special requests:

- Upon request and for special quantities, customised position and diameter of holes d1, d3, d4.



Stock availability as % (🛒)
90% (●) - 40% (●) - 5% (●)

🛒	Art.	D	H	h	h3	h4	I	F	G	d2	d3	d4	d5	d1	🔒
●	DFLAN.T131X34,5X4,2	131	12.5	11	8	3	110	20	25	11	4.5	11	127	34.5	80
●	DFLAN.T131X.....	131	12.5	11	A.R.	A.R.	110	A.R.	A.R.	11	A.R.	A.R.	127	A.R.	-

A.R. = Upon request.



Arbel Agencies LTD.

11 Ba'alei Hamelacha st. Qiryat Bialik P.O.B 1095, ZIP 2751311, ISRAEL
+972(0)48736969 ☎ +972(0)48730708 📠 info@arbel-ltd.com 🌐 www.arbel-ltd.com 🌐

