

DBASE



TWO-SPOKE CONTROL HANDWHEEL BASE WITH PROVISION FOR HANDLE

Materials:

Reinforced and stabilized polyamide. Resistant to oils and greases.

Surface finish:

Satin.

Colour:

Black (RAL 9011).

Central cap:

Grey polyamide (RAL 7035 code 13).

Alternative cap colours:

Orange (RAL 2004 cod. 02).
 Blue (RAL 5015 cod. 07).
 Yellow (RAL 1021 cod. 10).
 Red (RAL 3000 cod. 16).
 Green (RAL 6024 cod. 17).
 Black (RAL 9011 cod. 01).

Main insert:

Galvanised steel insert with smooth through bore (tolerance H10).

Lateral insert:

Brass insert with threaded through hole.

Hub:

Solid Hub.

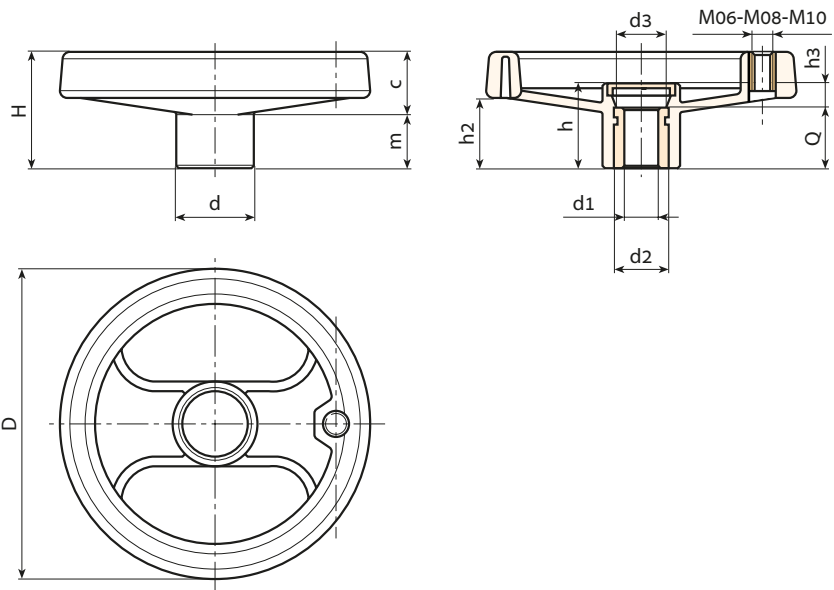
(*) Lightweight hub.

Fixing method:

For fixing systems, or execution of keyways or square holes, please refer to the technical notes attached to the catalogue [page 814].

Special requests:

- On request and with a minimum of 50 pieces, the inserts can be supplied with the hole d1 with H7 tolerance and black-oxide finish. Add the letters ZB to the standard code. Example: D130.ZB TD1001PZB.
- Upon request and for special quantities inserts can be supplied with custom hole diameter d1.
- Upon request and for special quantities inserts can be supplied in different materials/with different coatings.
- Upon request and for special quantities available in the colours indicated in the chart [page 807].



Stock availability as % (🛒)
 90% (●) - 40% (●) - 5% (●)

Art.	D	H	h	d	m	c	h2	h3	d3	d1 _{H10}	🛒	Handle hole
D80.TP0501PZ1	80	34	26	24.5	16	18	20	6	16	5	95	M6
D100.TP0501PZ1	99	43	33	28	20	23	26.5	9	16	5	150	M6
D130.TP0501PZ1	129	50	36	32	21	29	32	12	26	5	240	M8
D160.TD0801PZ1	159	57	40.5	40	22	35	34	8.5	26	8	390	M8
D200.TD0801PZ1	198	61.5	39.5	51	17.5	44	33	7.5	26	(*)8	640	M8
D250.TD0801PZ1	252	70	47	55.5	24	46	39	11	24	(*)8	910	M10
D350.TD0801PZ1	346	80	49.5	67.5	24	56	43.5	17.5	35	(*)(+)8	1530	M10

Attention: For a minimum of 50 pieces the diameter d1 can be customised (hole tolerance H10 galvanised and H7 black-oxide treated).



Arbel Agencies LTD.

11 Ba'alei Hamelacha st. Qiryat Bialik P.O.B 1095, ZIP 2751311, ISRAEL
 +972(0)48736969 ☎ +972(0)48730708 📠 info@arbel-ltd.com 📧 www.arbel-ltd.com 🌐

