

# D454

## "EUROMODEL" FOUR-ARMS CONTROL HANDWHEEL



MODELLO DEPOSITATO

### Materials:

Special technopolymer reinforced with high-strength glass fiber.  
Resistant to oils and greases.

### Surface finish:

Satin.

### Colour:

Black (RAL 9011).

### Central cap:

Grey polyamide (RAL 7035 code 13).

### Alternative cap colours:

Orange (RAL 2004 cod. 02).

Blue (RAL 5015 cod. 07).

Yellow (RAL 1021 cod. 10).

Red (RAL 3000 cod. 16).

Green (RAL 6024 cod. 17).

Black (RAL 9011 cod. 01).

### Main insert:

Galvanised steel insert with smooth through bore (tolerance H10).

### Hub:

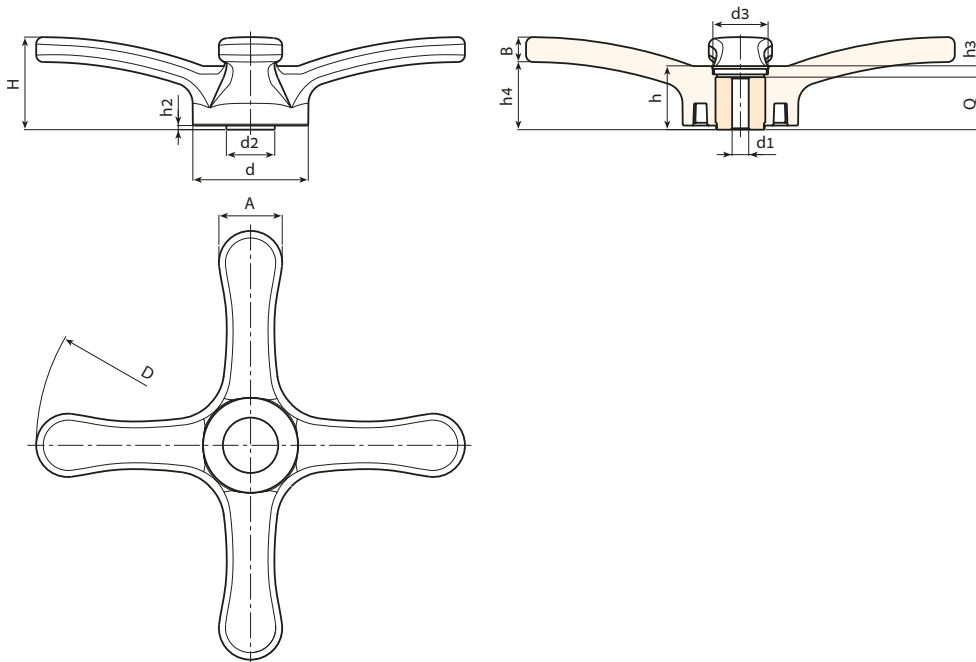
Lightweight hub.

### Fixing method:

For fixing systems, or execution of keyways or square holes, please refer to the technical notes attached to the catalogue [page 814].

### Special requests:

- Upon request and for a minimum of 50 pieces inserts can be supplied with hole d1 with tolerance H7 and black oxide treated finish. Add letters ZB to the standard code. Example: D454310.TD1701PZB.
- Upon request and for special quantities inserts can be supplied with custom hole diameter d1.
- Upon request and for special quantities inserts can be supplied with custom threaded hole d1.
- Upon request and for special quantities inserts can be supplied in different materials/with different coatings.



Stock availability as % (🛒)  
90% (●) - 40% (●) - 5% (●)

🛒	Art.	D	H	h	d	d2	A	B	h2	h3	h4	d3	Dm	d1H10	Q	🛒
●	D454310.TD0801P	308	66	45.5	83	35.5	45.5	20	3	7.5	46	34	26	08	38	900

Attention: For a minimum of 50 pieces the diameter d1 can be customised (hole tolerance H10 galvanised and H7 black-oxide treated).  
Dm = Maximum obtainable diameter for subsequent machining (widening).



Arbel Agencies LTD.  
11 Ba'alei Hamelacha st. Qiryat Bialik P.O.B 1095, ZIP 2751311, ISRAEL  
+972(0)48736969 ☎ +972(0)48730708 📠 info@arbel-ltd.com 📧 www.arbel-ltd.com 🌐

