

D206

TWO-SPOKE CONTROL HANDWHEEL WITH REVOLVING HANDLE



Materials:

Reinforced and stabilized polyamide. Resistant to oils and greases.

Surface finish: Satin.

Colour: Black (RAL 9011).

Central cap:

Grey polyamide (RAL 7035 code 13).

Alternative cap colours:

Orange (RAL 2004 cod. 02).
 Blue (RAL 5015 cod. 07).
 Yellow (RAL 1021 cod. 10).
 Red (RAL 3000 cod. 16).
 Green (RAL 6024 cod. 17).
 Black (RAL 9011 cod. 01).

Main insert:

Galvanised steel insert with smooth through bore (tolerance H10).

Lateral insert:

Brass insert with threaded through hole.

Lateral handle:

D206: Revolving handle art. M144 (page 400).
 D209: Revolving handle art. M145 (page 404).
 D210: Revolving handle art. M129 (page 401).
 D211: Revolving handle art. M202 (page 408).

Hub:

Solid Hub.

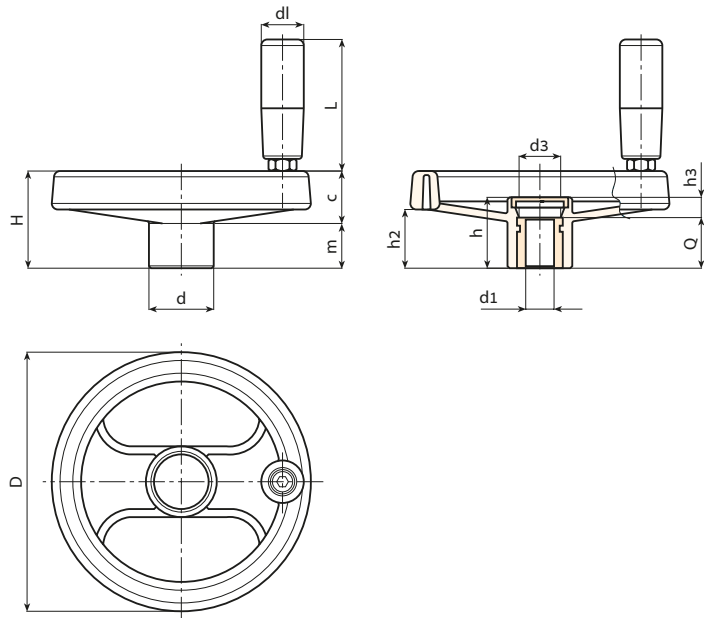
(*) Lightweight hub.

Fixing method:

For fixing systems, or execution of keyways or square holes, please refer to the technical notes attached to the catalogue [page 814].

Special requests:

- Upon request and for a minimum of 50 pieces inserts can be supplied with hole d1 with tolerance H7 and black oxide treated finish. Add letters ZB to the standard code. Example: D206130.TD1001PZB.
- Upon request and for special quantities inserts can be supplied with custom hole diameter d1.
- Upon request and for special quantities inserts can be supplied in different materials/with different coatings.
- Upon request and for special quantities spoke handwheels, handles and caps are available in the colours indicated in the chart (reduced range) [page 807].



Stock availability as % (🛒)
 90% (●) -40% (●) -5% (●)

| 🛒 | Art. | D | H | h | d | m | c | h2 | h3 | d3 | d1 | L | Dm | d1 _{H10} | Q | g |
|---|-----------------|-----|------|------|------|------|----|------|------|----|----|----|----|-------------------|----|------|
| ● | D206080.TP0501P | 80 | 34 | 26 | 24.5 | 16 | 18 | 20 | 6 | 16 | 20 | 56 | 12 | 5 | 20 | 125 |
| ● | D206080.TD0801P | 80 | 34 | 26 | 24.5 | 16 | 18 | 20 | 6 | 16 | 20 | 56 | 12 | 8 | 20 | 122 |
| ● | D206080.TD1001P | 80 | 34 | 26 | 24.5 | 16 | 18 | 20 | 6 | 16 | 20 | 56 | 12 | 10 | 20 | 119 |
| ● | D206100.TP0501P | 99 | 43 | 33 | 28 | 20 | 23 | 26.5 | 9 | 16 | 20 | 56 | 16 | 5 | 24 | 182 |
| ● | D206100.TD0801P | 99 | 43 | 33 | 28 | 20 | 23 | 26.5 | 9 | 16 | 20 | 56 | 16 | 8 | 24 | 182 |
| ● | D206100.TD1001P | 99 | 43 | 33 | 28 | 20 | 23 | 26.5 | 9 | 16 | 20 | 56 | 16 | 10 | 24 | 179 |
| ● | D206100.TD1201P | 99 | 43 | 33 | 28 | 20 | 23 | 26.5 | 9 | 16 | 20 | 56 | 16 | 12 | 24 | 177 |
| ● | D206130.TD0501P | 129 | 50 | 36 | 32 | 21 | 29 | 32 | 12 | 26 | 21 | 65 | 18 | 5 | 24 | 296 |
| ● | D206130.TD0801P | 129 | 50 | 36 | 32 | 21 | 29 | 32 | 12 | 26 | 21 | 65 | 18 | 8 | 24 | 293 |
| ● | D206130.TD1001P | 129 | 50 | 36 | 32 | 21 | 29 | 32 | 12 | 26 | 21 | 65 | 18 | 10 | 24 | 291 |
| ● | D206130.TD1201P | 129 | 50 | 36 | 32 | 21 | 29 | 32 | 12 | 26 | 21 | 65 | 18 | 12 | 24 | 289 |
| ● | D206160.TD0801P | 159 | 57 | 40.5 | 40 | 22 | 35 | 34 | 8.5 | 26 | 23 | 76 | 22 | 8 | 32 | 458 |
| ● | D206160.TD1401P | 159 | 57 | 40.5 | 40 | 22 | 35 | 34 | 8.5 | 26 | 23 | 76 | 22 | 14 | 32 | 450 |
| ● | D206160.TD2001P | 159 | 57 | 40.5 | 40 | 22 | 35 | 34 | 8.5 | 26 | 23 | 76 | 22 | 20 | 32 | 446 |
| ● | D206200.TD0801P | 198 | 61.5 | 39.5 | 51 | 17.5 | 44 | 33 | 7.5 | 26 | 23 | 76 | 22 | (*)8 | 32 | 700 |
| ● | D206200.TD1601P | 198 | 61.5 | 39.5 | 51 | 17.5 | 44 | 33 | 7.5 | 26 | 23 | 76 | 22 | (*)16 | 32 | 690 |
| ● | D206200.TD2001P | 198 | 61.5 | 39.5 | 51 | 17.5 | 44 | 33 | 7.5 | 26 | 23 | 76 | 22 | (*)20 | 32 | 685 |
| ● | D206250.TD0801P | 252 | 70 | 47 | 55.5 | 24 | 46 | 39 | 11 | 24 | 25 | 86 | 28 | (*)8 | 36 | 1030 |
| ● | D206250.TD2001P | 252 | 70 | 47 | 55.5 | 24 | 46 | 39 | 11 | 24 | 25 | 86 | 28 | (*)20 | 36 | 1015 |
| ● | D206350.TD0801P | 346 | 80 | 49.5 | 67.5 | 24 | 56 | 43.5 | 17.5 | 35 | 25 | 86 | 30 | (*)(+8) | 32 | 1640 |

Attention: For a minimum of 50 pieces the diameter d1 can be customised (hole tolerance H10 galvanised and H7 black-oxide treated).
 Dm = Maximum obtainable diameter for subsequent machining (widening).

Arbel Agencies LTD.



11 Ba'alei Hamelacha st. Qiryat Bialik P.O.B 1095, ZIP 2751311, ISRAEL
 +972(0)48736969 ☎ +972(0)48730708 📠 info@arbel-ltd.com 📧 www.arbel-ltd.com 🌐



D209



TWO-SPOKE CONTROL HANDWHEEL WITH REVOLVING HANDLE M145

| Art. | D | H | h | d | m | c | h2 | h3 | d3 | dl | L | Dm | d1 _{H10} | Q | |
|-----------------|-----|------|------|------|------|----|------|------|----|----|----|----|-------------------|----|------|
| D209080.TP0501P | 80 | 34 | 26 | 24.5 | 16 | 18 | 20 | 6 | 16 | 20 | 55 | 12 | 5 | 20 | 126 |
| D209100.TP0501P | 99 | 43 | 33 | 28 | 20 | 23 | 26.5 | 9 | 16 | 20 | 55 | 16 | 5 | 24 | 185 |
| D209130.TD0501P | 129 | 50 | 36 | 32 | 21 | 29 | 32 | 12 | 26 | 23 | 66 | 18 | 5 | 24 | 314 |
| D209160.TD0801P | 159 | 57 | 40.5 | 40 | 22 | 35 | 34 | 8.5 | 26 | 25 | 76 | 22 | 8 | 32 | 467 |
| D209200.TD0801P | 198 | 61.5 | 39.5 | 51 | 17.5 | 44 | 33 | 7.5 | 26 | 25 | 87 | 22 | (*)8 | 32 | 712 |
| D209250.TD0801P | 252 | 70 | 47 | 55.5 | 24 | 46 | 39 | 11 | 24 | 25 | 87 | 28 | (*)8 | 36 | 1010 |
| D209350.TD0801P | 346 | 80 | 49.5 | 67.5 | 24 | 56 | 43.5 | 17.5 | 35 | 25 | 87 | 30 | (*)(+)8 | 32 | 1620 |

Attention: For a minimum of 50 pieces the diameter d1 can be customised (hole tolerance H10 galvanised and H7 black-oxide treated).
Dm = Maximum obtainable diameter for subsequent machining (widening).

Lateral handle:

Revolving handle art. M145 (page 404).

D210



TWO-SPOKE CONTROL HANDWHEEL WITH REVOLVING HANDLE M129

| Art. | D | H | h | d | m | c | h2 | h3 | d3 | dl | L | Dm | d1 _{H10} | Q | |
|-----------------|-----|------|------|------|------|----|------|------|----|----|----|----|-------------------|----|------|
| D210080.TP0501P | 80 | 34 | 26 | 24.5 | 16 | 18 | 20 | 6 | 16 | 20 | 56 | 12 | 5 | 20 | 145 |
| D210100.TP0501P | 99 | 43 | 33 | 28 | 20 | 23 | 26.5 | 9 | 16 | 20 | 56 | 16 | 5 | 24 | 235 |
| D210130.TD0501P | 129 | 50 | 36 | 32 | 21 | 29 | 32 | 12 | 26 | 21 | 65 | 18 | 5 | 24 | 350 |
| D210160.TD0801P | 159 | 57 | 40.5 | 40 | 22 | 35 | 34 | 8.5 | 26 | 21 | 76 | 22 | 8 | 32 | 610 |
| D210200.TD0801P | 198 | 61.5 | 39.5 | 51 | 17.5 | 44 | 33 | 7.5 | 26 | 25 | 76 | 22 | (*)8 | 32 | 755 |
| D210250.TD0801P | 252 | 70 | 47 | 55.5 | 24 | 46 | 39 | 11 | 24 | 25 | 87 | 28 | (*)8 | 36 | 975 |
| D210350.TD0801P | 346 | 80 | 49.5 | 67.5 | 24 | 56 | 43.5 | 17.5 | 35 | 25 | 87 | 30 | (*)(+)8 | 32 | 1630 |

Attention: For a minimum of 50 pieces the diameter d1 can be customised (hole tolerance H10 galvanised and H7 black-oxide treated).
Dm = Maximum obtainable diameter for subsequent machining (widening).

Lateral handle:

Revolving handle art. M129 (page 401).

D211



TWO-SPOKE CONTROL HANDWHEEL WITH REVOLVING HANDLE M202

| Art. | D | H | h | d | m | c | h2 | h3 | d3 | dl | L | Dm | d1 _{H10} | Q | |
|-----------------|-----|----|------|------|----|----|------|------|----|----|----|----|-------------------|----|------|
| D211250.TD0801P | 252 | 70 | 47 | 55.5 | 24 | 46 | 39 | 11 | 24 | 40 | 67 | 28 | (*)8 | 36 | 975 |
| D211350.TD0801P | 346 | 80 | 49.5 | 67.5 | 24 | 56 | 43.5 | 17.5 | 35 | 40 | 67 | 30 | (*)(+)8 | 32 | 1630 |

Attention: For a minimum of 50 pieces the diameter d1 can be customised (hole tolerance H10 galvanised and H7 black-oxide treated).
Dm = Maximum obtainable diameter for subsequent machining (widening).

Lateral handle:

Revolving handle art. M202 (page 408).

Stock availability as % ()
90% (●) - 40% (●) - 5% (●)