

D206

TWO-SPOKE CONTROL HANDWHEEL WITH REVOLVING HANDLE



Materials:

Reinforced and stabilized polyamide. Resistant to oils and greases.

Surface finish: Satin.

Colour: Black (RAL 9011).

Central cap:

Grey polyamide (RAL 7035 code 13).

Alternative cap colours:

Orange (RAL 2004 cod. 02).
 Blue (RAL 5015 cod. 07).
 Yellow (RAL 1021 cod. 10).
 Red (RAL 3000 cod. 16).
 Green (RAL 6024 cod. 17).
 Black (RAL 9011 cod. 01).

Main insert:

Galvanised steel insert with smooth through bore (tolerance H10).

Lateral insert:

Brass insert with threaded through hole.

Lateral handle:

D206: Revolving handle art. M144 (page 400).
 D209: Revolving handle art. M145 (page 404).
 D210: Revolving handle art. M129 (page 401).
 D211: Revolving handle art. M202 (page 408).

Hub:

Solid Hub.

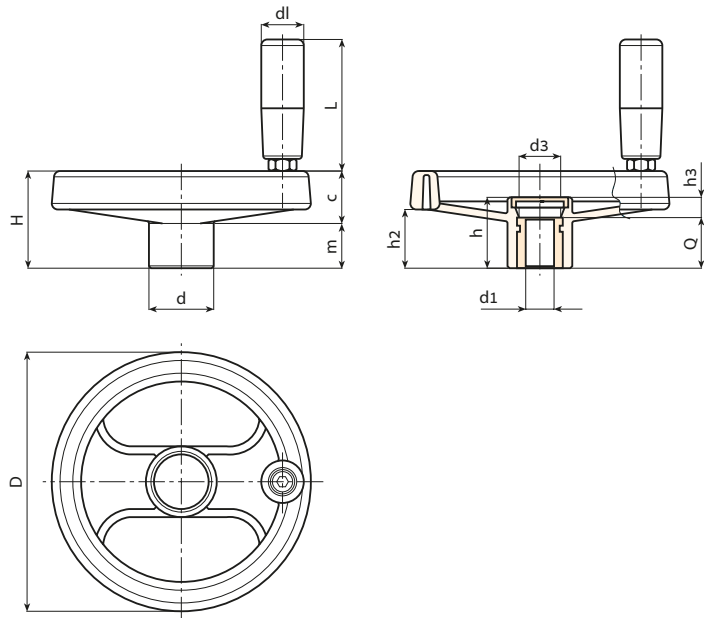
(*) Lightweight hub.

Fixing method:

For fixing systems, or execution of keyways or square holes, please refer to the technical notes attached to the catalogue [page 814].

Special requests:

- Upon request and for a minimum of 50 pieces inserts can be supplied with hole d1 with tolerance H7 and black oxide treated finish. Add letters ZB to the standard code. Example: D206130.TD1001PZB.
- Upon request and for special quantities inserts can be supplied with custom hole diameter d1.
- Upon request and for special quantities inserts can be supplied in different materials/with different coatings.
- Upon request and for special quantities spoke handwheels, handles and caps are available in the colours indicated in the chart (reduced range) [page 807].



Stock availability as % (🛒)
 90% (●) -40% (●) -5% (●)

🛒	Art.	D	H	h	d	m	c	h2	h3	d3	dl	L	Dm	d1H10	Q	🛒
●	D206080.TP0501P	80	34	26	24.5	16	18	20	6	16	20	56	12	5	20	125
●	D206080.TD0801P	80	34	26	24.5	16	18	20	6	16	20	56	12	8	20	122
●	D206080.TD1001P	80	34	26	24.5	16	18	20	6	16	20	56	12	10	20	119
●	D206100.TP0501P	99	43	33	28	20	23	26.5	9	16	20	56	16	5	24	182
●	D206100.TD0801P	99	43	33	28	20	23	26.5	9	16	20	56	16	8	24	182
●	D206100.TD1001P	99	43	33	28	20	23	26.5	9	16	20	56	16	10	24	179
●	D206100.TD1201P	99	43	33	28	20	23	26.5	9	16	20	56	16	12	24	177
●	D206130.TD0501P	129	50	36	32	21	29	32	12	26	21	65	18	5	24	296
●	D206130.TD0801P	129	50	36	32	21	29	32	12	26	21	65	18	8	24	293
●	D206130.TD1001P	129	50	36	32	21	29	32	12	26	21	65	18	10	24	291
●	D206130.TD1201P	129	50	36	32	21	29	32	12	26	21	65	18	12	24	289
●	D206160.TD0801P	159	57	40.5	40	22	35	34	8.5	26	23	76	22	8	32	458
●	D206160.TD1401P	159	57	40.5	40	22	35	34	8.5	26	23	76	22	14	32	450
●	D206160.TD2001P	159	57	40.5	40	22	35	34	8.5	26	23	76	22	20	32	446
●	D206200.TD0801P	198	61.5	39.5	51	17.5	44	33	7.5	26	23	76	22	(*)8	32	700
●	D206200.TD1601P	198	61.5	39.5	51	17.5	44	33	7.5	26	23	76	22	(*)16	32	690
●	D206200.TD2001P	198	61.5	39.5	51	17.5	44	33	7.5	26	23	76	22	(*)20	32	685
●	D206250.TD0801P	252	70	47	55.5	24	46	39	11	24	25	86	28	(*)8	36	1030
●	D206250.TD2001P	252	70	47	55.5	24	46	39	11	24	25	86	28	(*)20	36	1015
●	D206350.TD0801P	346	80	49.5	67.5	24	56	43.5	17.5	35	25	86	30	(*)(+8)	32	1640

Attention: For a minimum of 50 pieces the diameter d1 can be customised (hole tolerance H10 galvanised and H7 black-oxide treated).
 Dm = Maximum obtainable diameter for subsequent machining (widening).

Arbel Agencies LTD.



11 Ba'alei Hamelacha st. Qiryat Bialik P.O.B 1095, ZIP 2751311, ISRAEL
 +972(0)48736969 ☎ +972(0)48730708 📠 info@arbel-ltd.com 📧 www.arbel-ltd.com 🌐



D209



TWO-SPOKE CONTROL HANDWHEEL WITH REVOLVING HANDLE M145

Art.	D	H	h	d	m	c	h2	h3	d3	dl	L	Dm	d1 _{H10}	Q	
D209080.TP0501P	80	34	26	24.5	16	18	20	6	16	20	55	12	5	20	126
D209100.TP0501P	99	43	33	28	20	23	26.5	9	16	20	55	16	5	24	185
D209130.TD0501P	129	50	36	32	21	29	32	12	26	23	66	18	5	24	314
D209160.TD0801P	159	57	40.5	40	22	35	34	8.5	26	25	76	22	8	32	467
D209200.TD0801P	198	61.5	39.5	51	17.5	44	33	7.5	26	25	87	22	(*)8	32	712
D209250.TD0801P	252	70	47	55.5	24	46	39	11	24	25	87	28	(*)8	36	1010
D209350.TD0801P	346	80	49.5	67.5	24	56	43.5	17.5	35	25	87	30	(*)(+)8	32	1620

Attention: For a minimum of 50 pieces the diameter d1 can be customised (hole tolerance H10 galvanised and H7 black-oxide treated).
Dm = Maximum obtainable diameter for subsequent machining (widening).

Lateral handle:

Revolving handle art. M145 (page 404).

D210



TWO-SPOKE CONTROL HANDWHEEL WITH REVOLVING HANDLE M129

Art.	D	H	h	d	m	c	h2	h3	d3	dl	L	Dm	d1 _{H10}	Q	
D210080.TP0501P	80	34	26	24.5	16	18	20	6	16	20	56	12	5	20	145
D210100.TP0501P	99	43	33	28	20	23	26.5	9	16	20	56	16	5	24	235
D210130.TD0501P	129	50	36	32	21	29	32	12	26	21	65	18	5	24	350
D210160.TD0801P	159	57	40.5	40	22	35	34	8.5	26	21	76	22	8	32	610
D210200.TD0801P	198	61.5	39.5	51	17.5	44	33	7.5	26	25	76	22	(*)8	32	755
D210250.TD0801P	252	70	47	55.5	24	46	39	11	24	25	87	28	(*)8	36	975
D210350.TD0801P	346	80	49.5	67.5	24	56	43.5	17.5	35	25	87	30	(*)(+)8	32	1630

Attention: For a minimum of 50 pieces the diameter d1 can be customised (hole tolerance H10 galvanised and H7 black-oxide treated).
Dm = Maximum obtainable diameter for subsequent machining (widening).

Lateral handle:

Revolving handle art. M129 (page 401).

D211



TWO-SPOKE CONTROL HANDWHEEL WITH REVOLVING HANDLE M202

Art.	D	H	h	d	m	c	h2	h3	d3	dl	L	Dm	d1 _{H10}	Q	
D211250.TD0801P	252	70	47	55.5	24	46	39	11	24	40	67	28	(*)8	36	975
D211350.TD0801P	346	80	49.5	67.5	24	56	43.5	17.5	35	40	67	30	(*)(+)8	32	1630

Attention: For a minimum of 50 pieces the diameter d1 can be customised (hole tolerance H10 galvanised and H7 black-oxide treated).
Dm = Maximum obtainable diameter for subsequent machining (widening).

Lateral handle:

Revolving handle art. M202 (page 408).

Stock availability as % ()
90% (●) - 40% (●) - 5% (●)