

# D207200

## "EUROMODEL" TWO-SPOKE CONTROL HANDWHEEL WITH REVOLVING FOLDAWAY HANDLE



MODELLO DEPOSITATO

### Materials:

Reinforced and stabilized polyamide.  
Resistant to oils and greases.

### Surface finish:

Satin.

### Colour:

Black (RAL 9011).

### Central cap:

Grey polyamide (RAL 7035 code 13).

### Alternative cap colours:

Orange (RAL 2004 cod. 02).  
Blue (RAL 5015 cod. 07).  
Yellow (RAL 1021 cod. 10).  
Red (RAL 3000 cod. 16).  
Green (RAL 6024 cod. 17).  
Black (RAL 9011 cod. 01).

### Main insert:

Galvanised steel insert with smooth through bore (tolerance H10).

### Lateral handle:

Flush, foldaway revolving handle, with hexagonal connection. Reinforced polyamide handle.  
Black-oxide treated internal mechanism. Fixed with black-oxide treated hexagon socket button head screw ISO 7838.

### Hub:

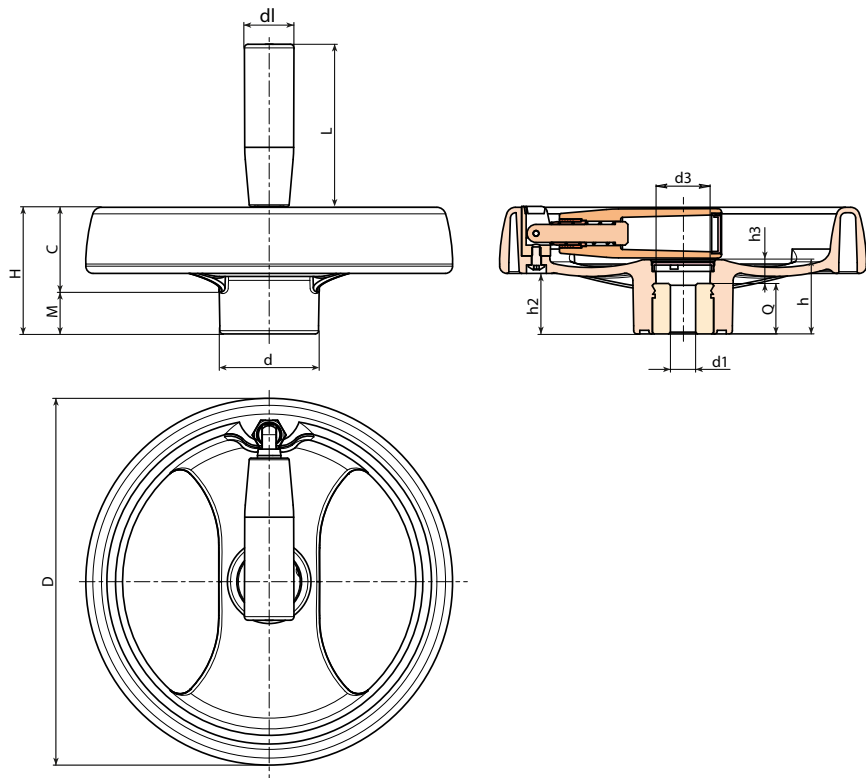
Solid Hub.

### Fixing method:

For fixing systems, or execution of keyways or square holes, please refer to the technical notes attached to the catalogue [page 814].

### Special requests:

- Upon request and for a minimum of 50 pieces inserts can be supplied with hole d1 with tolerance H7 and black oxide treated finish. Add letters ZB to the standard code. Example: D207200.TD1801PZB.
- Upon request and for special quantities inserts can be supplied with custom hole diameter d1.
- Upon request and for special quantities inserts can be supplied in different materials/with different coatings.
- Upon request and for special quantities spoke handwheels, handles and caps are available in the colours indicated in the chart (reduced range) [page 807].



**BOTECA**  
**EUROMODEL**

Stock availability as % (🛒)  
90% (●) - 40% (●) - 5% (●)

🛒	Art.	D	H	h	d	m	c	h3	d3	d1	L	Dm	d1H10	Q	🛒
●	D207200.TD0801P	200	69	41	54	23	46	13	30	27	91	24	8	28	660

Attention: For a minimum of 50 pieces the diameter d1 can be customised (hole tolerance H10 galvanised and H7 black-oxide treated).  
Dm = Maximum obtainable diameter for subsequent machining (widening).



11 Ba'alei Hamelacha st. Qiryat Bialik P.O.B 1095, ZIP 2751311, ISRAEL  
+972(0)48736969 ☎ +972(0)48730708 📠 info@arbel-ltd.com 📧 www.arbel-ltd.com 🌐

