

# D206

## TWO-SPOKE CONTROL HANDWHEEL WITH REVOLVING HANDLE



### Materials:

Reinforced and stabilized polyamide. Resistant to oils and greases.

Surface finish: Satin.

Colour: Black (RAL 9011).

### Central cap:

Grey polyamide (RAL 7035 code 13).

### Alternative cap colours:

Orange (RAL 2004 cod. 02).  
 Blue (RAL 5015 cod. 07).  
 Yellow (RAL 1021 cod. 10).  
 Red (RAL 3000 cod. 16).  
 Green (RAL 6024 cod. 17).  
 Black (RAL 9011 cod. 01).

### Main insert:

Galvanised steel insert with smooth through bore (tolerance H10).

### Lateral insert:

Brass insert with threaded through hole.

### Lateral handle:

D206: Revolving handle art. M144 (page 400).  
 D209: Revolving handle art. M145 (page 404).  
 D210: Revolving handle art. M129 (page 401).  
 D211: Revolving handle art. M202 (page 408).

### Hub:

Solid Hub.

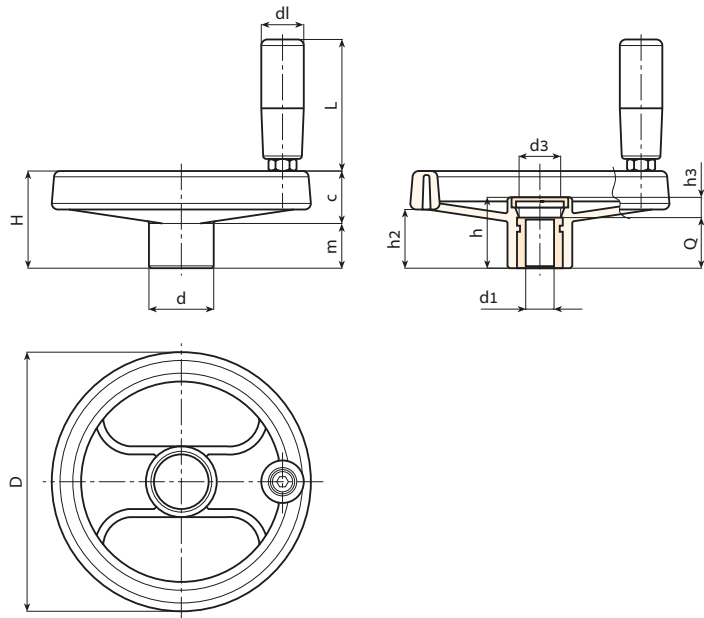
(\*) Lightweight hub.

### Fixing method:

For fixing systems, or execution of keyways or square holes, please refer to the technical notes attached to the catalogue [page 814].

### Special requests:

- Upon request and for a minimum of 50 pieces inserts can be supplied with hole d1 with tolerance H7 and black oxide treated finish. Add letters ZB to the standard code. Example: D206130.TD1001PZB.
- Upon request and for special quantities inserts can be supplied with custom hole diameter d1.
- Upon request and for special quantities inserts can be supplied in different materials/with different coatings.
- Upon request and for special quantities spoke handwheels, handles and caps are available in the colours indicated in the chart (reduced range) [page 807].



Stock availability as % (🛒)  
 90% (●) -40% (●) -5% (●)

🛒	Art.	D	H	h	d	m	c	h2	h3	d3	d1	L	Dm	d1 <sub>H10</sub>	Q	🛒
●	D206080.TP0501P	80	34	26	24.5	16	18	20	6	16	20	56	12	5	20	125
●	D206080.TD0801P	80	34	26	24.5	16	18	20	6	16	20	56	12	8	20	122
●	D206080.TD1001P	80	34	26	24.5	16	18	20	6	16	20	56	12	10	20	119
●	D206100.TP0501P	99	43	33	28	20	23	26.5	9	16	20	56	16	5	24	182
●	D206100.TD0801P	99	43	33	28	20	23	26.5	9	16	20	56	16	8	24	182
●	D206100.TD1001P	99	43	33	28	20	23	26.5	9	16	20	56	16	10	24	179
●	D206100.TD1201P	99	43	33	28	20	23	26.5	9	16	20	56	16	12	24	177
●	D206130.TD0501P	129	50	36	32	21	29	32	12	26	21	65	18	5	24	296
●	D206130.TD0801P	129	50	36	32	21	29	32	12	26	21	65	18	8	24	293
●	D206130.TD1001P	129	50	36	32	21	29	32	12	26	21	65	18	10	24	291
●	D206130.TD1201P	129	50	36	32	21	29	32	12	26	21	65	18	12	24	289
●	D206160.TD0801P	159	57	40.5	40	22	35	34	8.5	26	23	76	22	8	32	458
●	D206160.TD1401P	159	57	40.5	40	22	35	34	8.5	26	23	76	22	14	32	450
●	D206160.TD2001P	159	57	40.5	40	22	35	34	8.5	26	23	76	22	20	32	446
●	D206200.TD0801P	198	61.5	39.5	51	17.5	44	33	7.5	26	23	76	22	(*)8	32	700
●	D206200.TD1601P	198	61.5	39.5	51	17.5	44	33	7.5	26	23	76	22	(*)16	32	690
●	D206200.TD2001P	198	61.5	39.5	51	17.5	44	33	7.5	26	23	76	22	(*)20	32	685
●	D206250.TD0801P	252	70	47	55.5	24	46	39	11	24	25	86	28	(*)8	36	1030
●	D206250.TD2001P	252	70	47	55.5	24	46	39	11	24	25	86	28	(*)20	36	1015
●	D206350.TD0801P	346	80	49.5	67.5	24	56	43.5	17.5	35	25	86	30	(*)(+8)	32	1640

Attention: For a minimum of 50 pieces the diameter d1 can be customised (hole tolerance H10 galvanised and H7 black-oxide treated).  
 Dm = Maximum obtainable diameter for subsequent machining (widening).

Arbel Agencies LTD.



11 Ba'alei Hamelacha st. Qiryat Bialik P.O.B 1095, ZIP 2751311, ISRAEL  
 +972(0)48736969 ☎ +972(0)48730708 📠 info@arbel-ltd.com 📧 www.arbel-ltd.com 🌐



# D209

## TWO-SPOKE CONTROL HANDWHEEL WITH REVOLVING HANDLE M145



Art.	D	H	h	d	m	c	h2	h3	d3	dl	L	Dm	d1 <sub>H10</sub>	Q	
D209080.TP0501P	80	34	26	24.5	16	18	20	6	16	20	55	12	5	20	126
D209100.TP0501P	99	43	33	28	20	23	26.5	9	16	20	55	16	5	24	185
D209130.TD0501P	129	50	36	32	21	29	32	12	26	23	66	18	5	24	314
D209160.TD0801P	159	57	40.5	40	22	35	34	8.5	26	25	76	22	8	32	467
D209200.TD0801P	198	61.5	39.5	51	17.5	44	33	7.5	26	25	87	22	(*)8	32	712
D209250.TD0801P	252	70	47	55.5	24	46	39	11	24	25	87	28	(*)8	36	1010
D209350.TD0801P	346	80	49.5	67.5	24	56	43.5	17.5	35	25	87	30	(*)(+)8	32	1620

Attention: For a minimum of 50 pieces the diameter d1 can be customised (hole tolerance H10 galvanised and H7 black-oxide treated).  
Dm = Maximum obtainable diameter for subsequent machining (widening).

**Lateral handle:**  
Revolving handle art. M145 (page 404).

# D210

## TWO-SPOKE CONTROL HANDWHEEL WITH REVOLVING HANDLE M129



Art.	D	H	h	d	m	c	h2	h3	d3	dl	L	Dm	d1 <sub>H10</sub>	Q	
D210080.TP0501P	80	34	26	24.5	16	18	20	6	16	20	56	12	5	20	145
D210100.TP0501P	99	43	33	28	20	23	26.5	9	16	20	56	16	5	24	235
D210130.TD0501P	129	50	36	32	21	29	32	12	26	21	65	18	5	24	350
D210160.TD0801P	159	57	40.5	40	22	35	34	8.5	26	21	76	22	8	32	610
D210200.TD0801P	198	61.5	39.5	51	17.5	44	33	7.5	26	25	76	22	(*)8	32	755
D210250.TD0801P	252	70	47	55.5	24	46	39	11	24	25	87	28	(*)8	36	975
D210350.TD0801P	346	80	49.5	67.5	24	56	43.5	17.5	35	25	87	30	(*)(+)8	32	1630

Attention: For a minimum of 50 pieces the diameter d1 can be customised (hole tolerance H10 galvanised and H7 black-oxide treated).  
Dm = Maximum obtainable diameter for subsequent machining (widening).

**Lateral handle:**  
Revolving handle art. M129 (page 401).

# D211

## TWO-SPOKE CONTROL HANDWHEEL WITH REVOLVING HANDLE M202



Art.	D	H	h	d	m	c	h2	h3	d3	dl	L	Dm	d1 <sub>H10</sub>	Q	
D211250.TD0801P	252	70	47	55.5	24	46	39	11	24	40	67	28	(*)8	36	975
D211350.TD0801P	346	80	49.5	67.5	24	56	43.5	17.5	35	40	67	30	(*)(+)8	32	1630

Attention: For a minimum of 50 pieces the diameter d1 can be customised (hole tolerance H10 galvanised and H7 black-oxide treated).  
Dm = Maximum obtainable diameter for subsequent machining (widening).

**Lateral handle:**  
Revolving handle art. M202 (page 408).

Stock availability as % ( )  
90% (●) - 40% (●) - 5% (●)