

D205

TWO-SPOKE CONTROL HANDWHEEL



Materials:

Reinforced and stabilized polyamide.
Resistant to oils and greases.

Surface finish:

Satin.

Colour:

Black (RAL 9011).

Central cap:

Grey polyamide (RAL 7035 code 13).

Alternative cap colours:

Orange (RAL 2004 cod. 02).
Blue (RAL 5015 cod. 07).
Yellow (RAL 1021 cod. 10).
Red (RAL 3000 cod. 16).
Green (RAL 6024 cod. 17).
Black (RAL 9011 cod. 01).

Main insert:

Galvanised steel insert with smooth through bore (tolerance H10).

Hub:

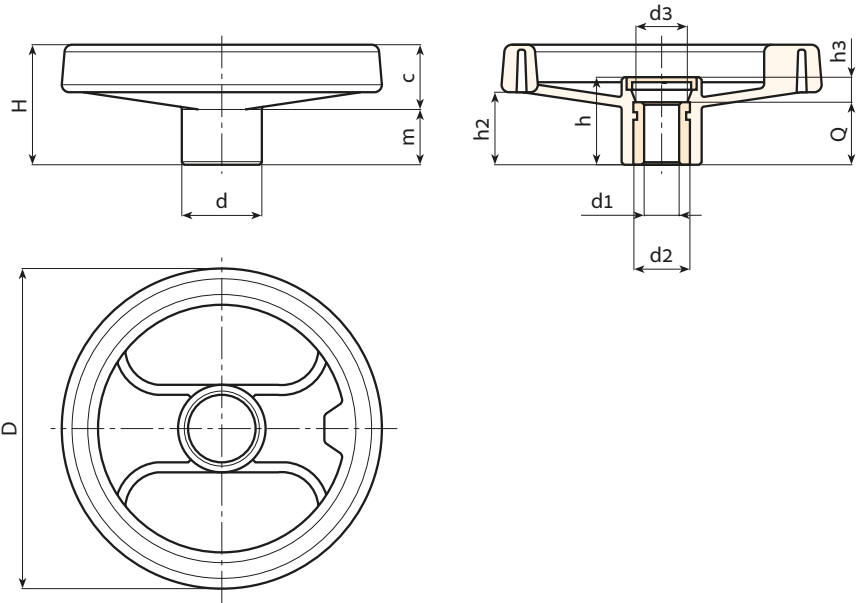
Solid Hub.
(*) Lightweight hub.

Fixing method:

For fixing systems, or execution of keyways or square holes, please refer to the technical notes attached to the catalogue [page 814].

Special requests:

- Upon request and for a minimum of 50 pieces inserts can be supplied with hole d1 with tolerance H7 and black oxide treated finish. Add letters ZB to the standard code. Example: D205130.TD1001PZB.
- Upon request and for special quantities inserts can be supplied with custom hole diameter d1.
- Upon request and for special quantities inserts can be supplied in different materials/with different coatings.
- Upon request and for special quantities the spoke handwheels are available in the colours indicated in the chart (reduced range) [page 807].



Stock availability as % (🛒)
90% (●) - 40% (●) - 5% (●)

🛒	Art.	D	H	h	d	m	c	h2	h3	d3	Dm	d1 _{H10}	Q	🛒
●	D205080.TP0501P	80	34	26	24.5	16	18	20	6	16	12	5	20	94
●	D205100.TP0501P	99	43	33	28	20	23	26.5	9	16	16	5	24	152
●	D205130.TP0501P	129	50	36	32	21	29	32	12	26	18	5	24	240
●	D205130.TD1201P	129	50	36	32	21	29	32	12	26	18	12	24	235
●	D205160.TD0801P	159	57	40.5	40	22	35	34	8.5	26	22	8	32	390
●	D205160.TD1401P	159	57	40.5	40	22	35	34	8.5	26	22	14	32	380
●	D205160.TD1601P	159	57	40.5	40	22	35	34	8.5	26	22	16	32	377
●	D205200.TD0801P	198	61.5	39.5	51	17.5	44	33	7.5	26	22	(*)8	32	630
●	D205200.TD1001P	198	61.5	39.5	51	17.5	44	33	7.5	26	22	(*)10	32	628
●	D205200.TD1201P	198	61.5	39.5	51	17.5	44	33	7.5	26	22	(*)12	32	626
●	D205200.TD2001P	198	61.5	39.5	51	17.5	44	33	7.5	26	22	(*)20	32	615
●	D205250.TD0801P	252	70	47	55.5	24	46	39	11	24	28	(*)8	36	920
●	D205250.TD1201P	252	70	47	55.5	24	46	39	11	24	28	(*)12	36	917
●	D205350.TD0801P	346	80	49.5	67.5	24	56	43.5	17.5	35	30	(*)8	32	1530

Attention: For a minimum of 50 pieces the diameter d1 can be customised (hole tolerance H10 galvanised and H7 black-oxide treated).
Dm = Maximum obtainable diameter for subsequent machining (widening).