

D161



TAPERED HANDWHEEL WITH INSERT AND SMOOTH BORE OR THREADED HOLE

Materials:

Reinforced polyamide. Resistant to oils and greases.

Surface finish:

Satin.

Colour:

Black (RAL 9011).

Main insert:

Version TD:

Galvanised steel insert with blind smooth bore (tolerance H10).

Version TM:

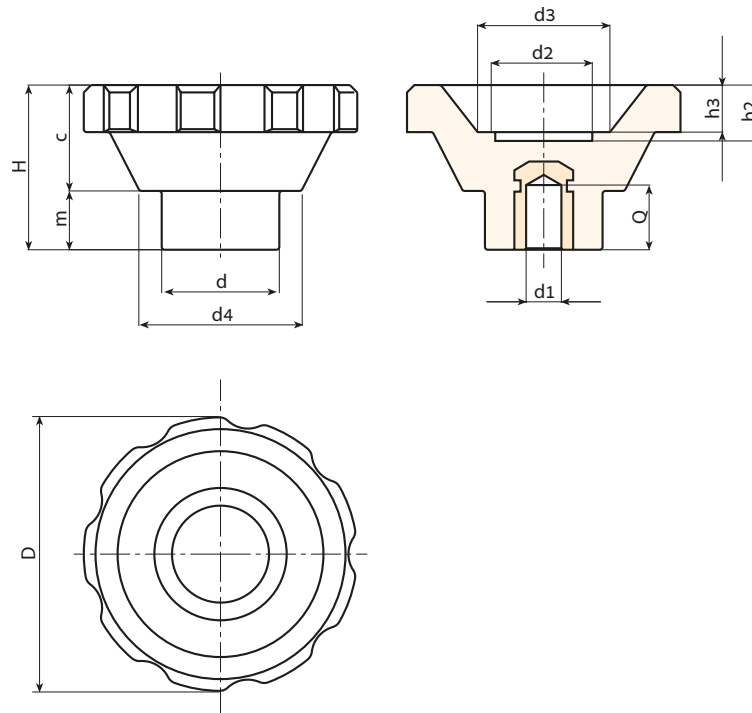
Galvanised steel insert with female threaded hole (tolerance 6H).

Special requests:

- Upon request and for special quantities inserts can be supplied with custom hole diameter d1.
- Upon request and for special quantities inserts can be supplied in different materials or finishes.

Fixing method:

For fixing systems, or execution of keyways or square holes, please refer to the technical notes attached to the catalogue [page 814].



Version TM with female threaded hole.

Stock availability as % (🛒)
90% (●) - 40% (●) - 5% (●)

🛒	Art.	D	H	d	c	m	d2	d3	d4	h2	h3	d1 6H	Q	📦
●	D16195.TM1201	93	56.5	40	36.5	20	32	45	55.5	20	17	M12	25	338

Attention: for a minimum of 50 pieces the diameter d1 can be produced with the requested dimensions (tolerance 6H).

Version TD with blind smooth bore.

🛒	Art.	D	H	d	c	m	d2	d3	d4	h2	h3	Dm	d1H10	Q	📦
●	D16195.TD0801	93	56.5	40	36.5	20	32	45	55.5	20	17	22	8	27	340

Attention: For a minimum of 50 pieces the diameter d1 can be customised (hole tolerance H10 galvanised and H7 black-oxide treated).
Dm = Maximum obtainable diameter for subsequent machining (widening).