

CBASE



BASE FOR SOLID CONTROL HANDWHEEL WITH PROVISION FOR SIDE HANDLE

Materials:

Reinforced and stabilized polyamide.
Resistant to oils and greases.

Surface finish:

Satin.

Colour:

Black (RAL 9011).

Central cap:

Grey polyamide (RAL 7035 code 13).

Alternative cap colours:

Orange (RAL 2004 code 02).
Blue (RAL 5015 code 07).
Yellow (RAL 1021 code 10).
Red (RAL 3000 code 16).
Green (RAL 6024 code 17).
Black (RAL 9011 code 01).

Main insert:

Galvanised steel insert with smooth through bore (tolerance H10).

Lateral insert:

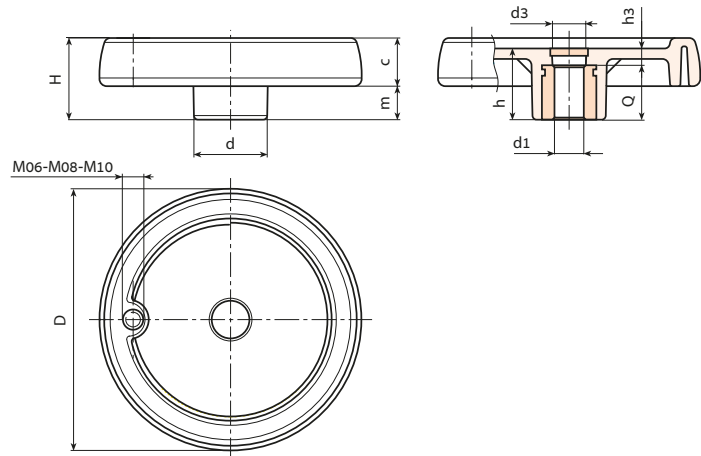
Brass insert with threaded through hole.

Fixing method:

For fixing systems, or execution of keyways or square holes, please refer to the technical notes attached to the catalogue [page].

Special requests:

- On request and with a minimum of 50 pieces, the inserts can be supplied with the hole d_1 with H7 tolerance and black-oxide finish. Add the letters ZB to the standard code. Example: C100.TD1001PZ1.
- Upon request and for special quantities inserts can be supplied with custom hole diameter d_1 .
- Upon request and for special quantities inserts can be supplied in different materials/with different coatings.
- Upon request and for special quantities handwheels and caps are available in the colours indicated in the chart (attention: reduced range) [page].



Stock availability as % (🛒)
90% (●) - 40% (●) - 5% (●)

Art.	D	H	h	d	m	c	d3	h3	d1 _{H10}	g	Hole
C080.TP0501PZ1	81	33	29	25	16	17	16	9	5	100	M6
C100.TP0501PZ1	100	39	34	30	18.5	20.5	16	10	5	190	M6
C125.TP0501PZ1	125	44	37	36	20	24	26	13	5	290	M8
C150.TD0801PZ1	150	54	44	38	25	29	26	12	8	520	M10
C175.TD0801PZ1	173	57	47	40	25.5	31.5	26	15	8	660	M10
C200.TD0801PZ1	202	59	49	44	24	35	27	13	8	870	M10
C250.TD0801PZ1	249	68	58	59	29	39	36	22	8	1400	M10