

C990



SOLID CONTROL HANDWHEEL WITH FOLDAWAY HANDLE AND LOCKING KNOB

Materials:

Reinforced and stabilized polyamide.
Resistant to oils and greases.

Surface finish:

Satin.

Handwheel and handle colour:

Black (RAL 9011).

Central cap:

Grey polyamide (RAL 7035 code 13).

Main insert:

Galvanised steel insert with smooth through bore (tolerance H10).

Lateral insert:

Brass insert with threaded through hole.

Lateral handle:

Revolving handle that folds into the handwheel, with hexagonal connection.
Reinforced polyamide handle. Black-oxide treated internal mechanism. Fixed with black-oxide treated hexagon socket button head screw ISO 7838.

Locking knob:

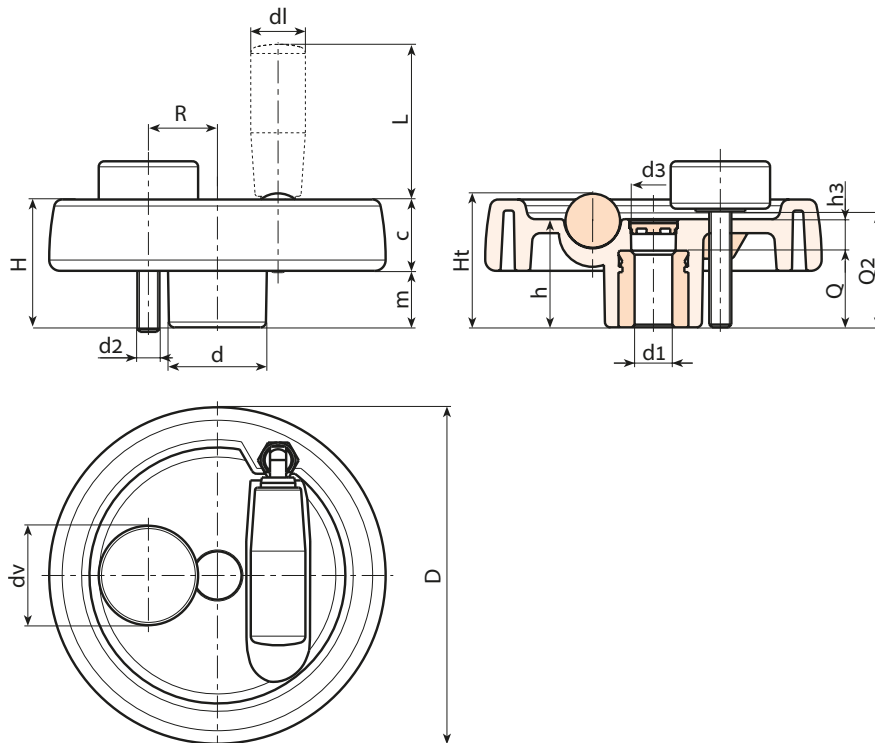
Black cylindrical knob Ral 9011 art. G793-36 with threaded stud [page]. Caution: the R and Q2 dimensions of the locking knob must be chosen by the customer according to the dimensions of the machinery on which the solid handwheel will be installed.

Fixing method:

For fixing systems, or execution of keyways or square holes, please refer to the technical notes attached to the catalogue [page].

Special requests:

- On request and with a minimum of 50 pieces, the inserts can be supplied with the hole d1 with H7 tolerance and black-oxide finish. Add the letters ZB to the standard code. Example: C989125.TD1001PZB.
- Upon request and for special quantities inserts can be supplied with custom hole diameter d1.
- Upon request and for special quantities inserts can be supplied in different materials/ with different coatings.



Stock availability as % (🛒)
90% (●) - 40% (●) - 5% (●)

🛒	Art.	D	H	Ht	h	d	m	c	d3	h3	R	d2	Q2	dl	L	Dm	d1 _{H10}	Q	📦
●	C990125.TP0501P	124	48	49.5	40	36	21.5	26.5	16	15	22÷25	M6	A.R.	20	38	18	5	24	410
●	C990150.TD0801P	149	53	-	44	38	24.5	28.5	12	26	25÷28	M8	A.R.	20	58	22	8	32	560
●	C990175.TD0801P	174	58	-	48	40	24.5	33.5	16	26	26÷36	M8	A.R.	26	80	28	8	32	775
●	C990200.TD0801P	198	63	-	53	44	24.5	38.5	17	26	28÷42	M8	A.R.	27	90	28	8	36	1075
●	C990250.TD0801P	250	67	-	58	60	29	38	22	36	36÷50	M8	A.R.	27	90	28	8	36	1560

Attention: For a minimum of 50 pieces the diameter d1 can be customised (hole tolerance H10 galvanised and H7 black-oxide treated).
Dm = Maximum obtainable diameter for subsequent machining (widening).
dv = 36 mm. A.R. = On request.