

B412

CHROME-PLATED STEEL ROUND HANDLE

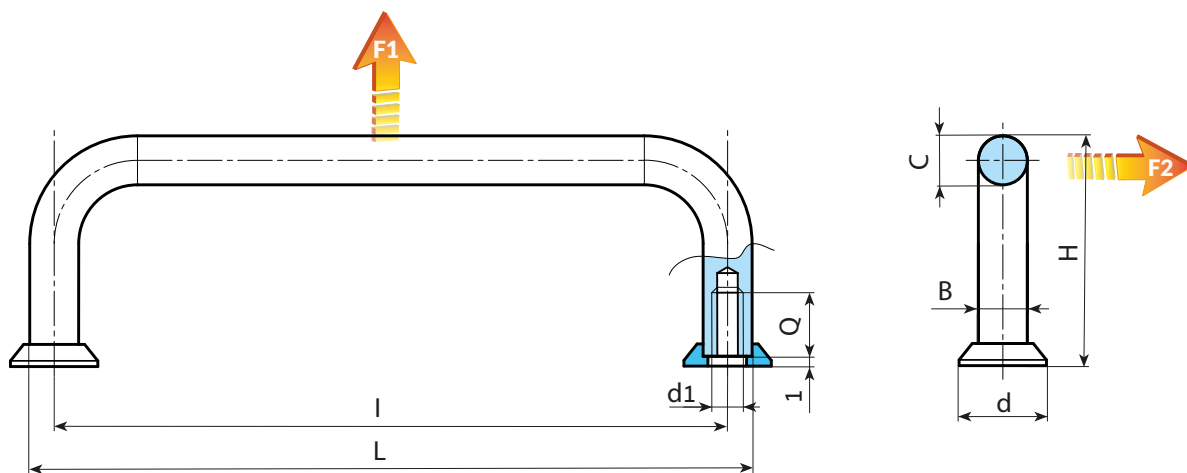


Materials:
Free-cutting steel handle.

Surface finish:
Fine mirror polishing.

Colour:
Glossy chrome plating.

Special requests:
• None.



Stock availability as % (🛒)
90% (●) - 40% (●) - 5% (●)

🛒	art.	L	I	H	B/C	d	Q	d1	g	F1 (N)	F2 (N)
-	B412032.R05M03	37	32	21	5	8	6	M3	8	1000	1000
-	B412042.R05M03	47	42	25	5	8	6	M3	10	1000	1000
-	B412055.R05M03	60	55	25	5	8	6	M3	13	1000	1000
-	B412076.R05M03	81	76	25	5	8	6	M3	15	1000	1000
-	B412088.R05M03	93	88	25	5	8	6	M3	18	1000	1000
-	B412032.R08M04	40	32	33	8	12.5	8	M4	28	1000	1000
-	B412055.R08M04	63	55	33	8	12.5	8	M4	38	1000	1000
-	B412064.R08M04	72	64	33	8	12.5	8	M4	41	1000	1000
-	B412088.R08M04	96	88	33	8	12.5	8	M4	50	1000	1000
-	B412096.R08M04	104	96	33	8	12.5	8	M4	56	1000	1000
-	B412098.R08M04	106	98	33	8	12.5	8	M4	57	1000	1000
-	B412102.R08M04	110	102	33	8	12.5	8	M4	58	1000	1000
-	B412120.R08M04	128	120	33	8	12.5	8	M4	65	1000	1000
-	B412128.R08M04	136	128	33	8	12.5	8	M4	68	1000	1000
-	B412136.R08M04	144	136	33	8	12.5	8	M4	71	1000	1000
-	B412055.R10M05	65	55	41	10	15	10	M5	67	1000	1000
-	B412088.R10M05	98	88	41	10	15	10	M5	87	1000	1000
-	B412100.R10M05	110	100	41	10	15	10	M5	94	1000	1000
-	B412102.R10M05	112	102	41	10	15	10	M5	95	1000	1000
-	B412115.R10M05	125	115	41	10	15	10	M5	103	1000	1000
-	B412120.R10M05	130	120	41	10	15	10	M5	105	1000	1000
-	B412136.R10M05	146	136	41	10	15	10	M5	112	1000	1000
-	B412180.R10M05	190	180	41	10	15	10	M5	142	1000	1000
-	B412200.R10M05	210	200	41	10	15	10	M5	154	1000	1000
-	B412235.R10M05	245	235	41	10	15	10	M5	175	1000	1000
-	B412250.R10M05	260	250	41	10	15	10	M5	184	1000	1000