

# B405

## ALUMINUM FLAT LARGE OVAL HANDLE



### Materials:

Handle in aluminium alloy 6060.

### Surface finish:

Sandblasted satin finish.

### Colour:

Version B405-01:

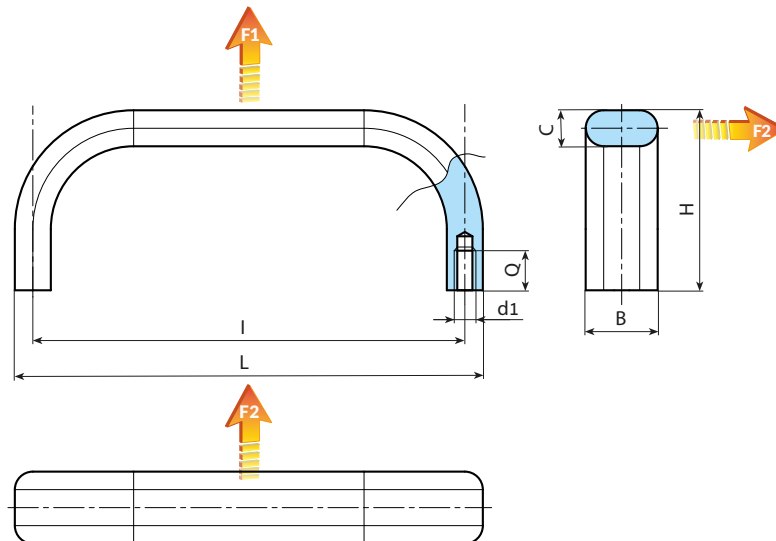
Black epoxy powder coating.

Version B405-99:

Natural anodised silver.

### Special requests:

- None.



### B405 - Black anodised version - code 01



Stock availability as % (🛒)  
90% (●) - 40% (●) - 5% (●)

art.	L	I	H	B	C	Q	d1	g	F1 (N)	F2 (N)
B405120.A20M0501	130	120	45	20	10	10	M5	85	500	500
B405180.A20M0501	190	180	45	20	10	10	M5	100	500	500
B405200.A20M0501	210	200	45	20	10	10	M5	120	500	500
B405350.A20M0601	360	350	45	20	10	12	M6	190	500	500

### B405 - Natural silver version - code 99

art.	L	I	H	B	C	Q	d1	g	F1 (N)	F2 (N)
B405120.A20M0599	130	120	45	20	10	10	M5	85	500	500
B405180.A20M0599	190	180	45	20	10	10	M5	100	500	500
B405200.A20M0599	210	200	45	20	10	10	M5	120	500	500
B405350.A20M0699	360	350	45	20	10	12	M6	190	500	500

### Arbel Agencies LTD.



11 Ba'alei Hamelacha st. Qiryat Bialik P.O.B 1095, ZIP 2751311, ISRAEL  
+972(0)48736969 ☎ +972(0)48730708 📠 info@arbel-ltd.com 🌐 www.arbel-ltd.com 🌐

