

B330

HANDLE WITH TUBE D.30



Materials:

Plastic end:

Reinforced polyamide. Resistant to oils and greases.

Tube:

Aluminum alloy 6060.

Surface finish:

Plastic end: Satin.

Tube: Smooth.

Colour:

Plastic end:

Black (Ral 9011).

Tube:

Version B330-99: Anodised silver.

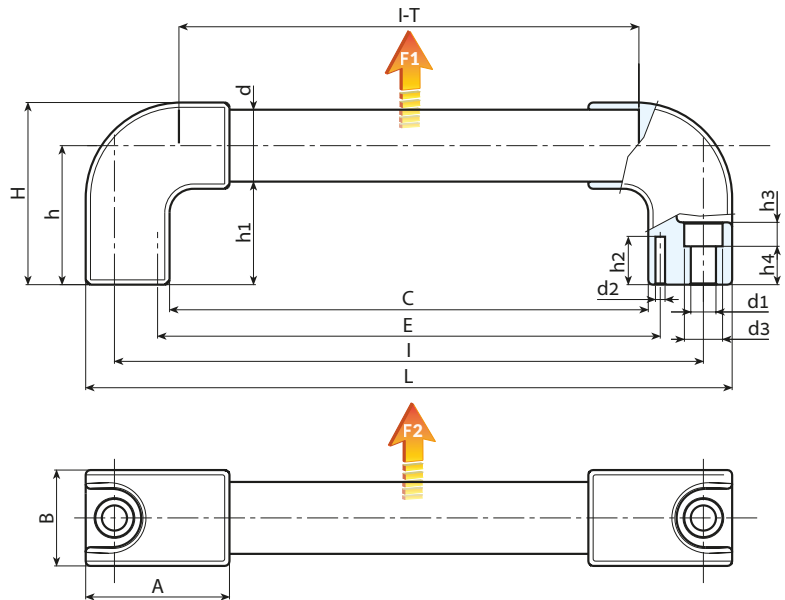
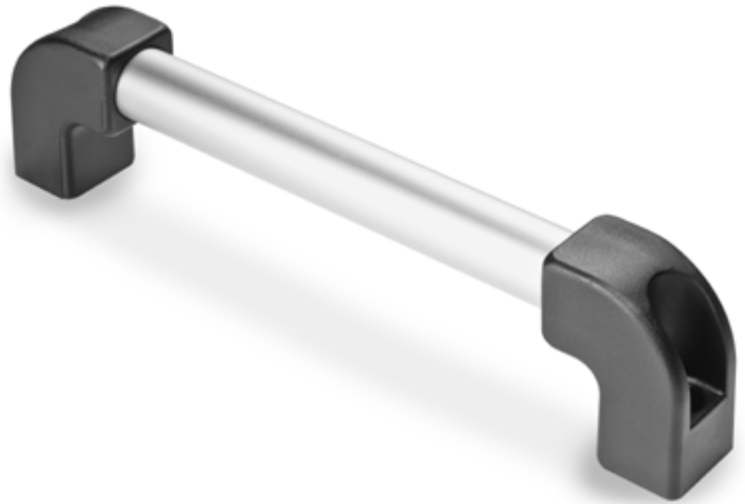
Version B330-98: Marbled black epoxy powder coating.

Hole:

Smooth through hole obtained by moulding the plastic.

Special requests:

- Upon request and for special quantities the handle can be supplied with custom length.
- Upon request screw caps are available.
- Upon request and for special quantities available in the colours indicated in the chart [page].



Version B330-99: with tube colour anodised silver

Stock availability as % (🛒)
90% (●) - 40% (●) - 5% (●)

art.	L	I	C	E	A	B	T	H	h	h1	h4	h3	h2	d	d3	d2	d1	g	F1 (kN)	F2 (kN)
B330200.TG3099	224	200	154	164	60	40	54	77	58	43	12	15	19	30	16	4	10.5	235	3,4	2,9
B330250.TG3099	274	250	204	214	60	40	54	77	58	43	12	15	19	30	16	4	10.5	250	3,8	3,2
B330300.TG3099	324	300	254	264	60	40	54	77	58	43	12	15	19	30	16	4	10.5	270	3,2	2,9
B330350.TG3099	374	350	304	314	60	40	54	77	58	43	12	15	19	30	16	4	10.5	285	2,7	2,4
B330400.TG3099	424	400	354	364	60	40	54	77	58	43	12	15	19	30	16	4	10.5	305	2,4	2,2
B330500.TG3099	524	500	454	464	60	40	54	77	58	43	12	15	19	30	16	4	10.5	340	1,9	1,7
B330600.TG3099	624	600	554	564	60	40	54	77	58	43	12	15	19	30	16	4	10.5	370	1,6	1,4
B330700.TG3099	724	700	654	664	60	40	54	77	58	43	12	15	19	30	16	4	10.5	405	1,4	1,25

Version B330-98: with tube colour marbled black.

art.	L	I	C	E	A	B	T	H	h	h1	h4	h3	h2	d	d3	d2	d1	g	F1 (kN)	F2 (kN)
B330200.TG3098	224	200	154	164	60	40	54	77	58	43	12	15	19	30	16	4	10.5	235	3,4	2,9
B330250.TG3098	274	250	204	214	60	40	54	77	58	43	12	15	19	30	16	4	10.5	250	3,8	3,2
B330300.TG3098	324	300	254	264	60	40	54	77	58	43	12	15	19	30	16	4	10.5	270	3,2	2,9
B330350.TG3098	374	350	304	314	60	40	54	77	58	43	12	15	19	30	16	4	10.5	285	2,7	2,4
B330400.TG3098	424	400	354	364	60	40	54	77	58	43	12	15	19	30	16	4	10.5	305	2,4	2,2
B330500.TG3098	524	500	454	464	60	40	54	77	58	43	12	15	19	30	16	4	10.5	340	1,9	1,7
B330600.TG3098	624	600	554	564	60	40	54	77	58	43	12	15	19	30	16	4	10.5	370	1,6	1,4
B330700.TG3098	724	700	654	664	60	40	54	77	58	43	12	15	19	30	16	4	10.5	405	1,4	1,25

Arbel Agencies LTD.

11 Ba'alei Hamelacha st. Qiryat Bialik P.O.B 1095, ZIP 2751311, ISRAEL

+972(0)48736969 ☎ +972(0)48730708 📠 info@arbel-ltd.com 📧 www.arbel-ltd.com 🌐

