

B326

"EUROMODEL" HANDLE WITH THREADED INSERT AND CAP



MODELLO DEPOSITATO

Materials:

Reinforced polyamide.
Resistant to oils and greases.

Surface finish:

Satin.

Colour:

Black (RAL 9011).

Standard cap:

Grey polyamide cap (RAL 7035 code 13).

Alternative cap colours:

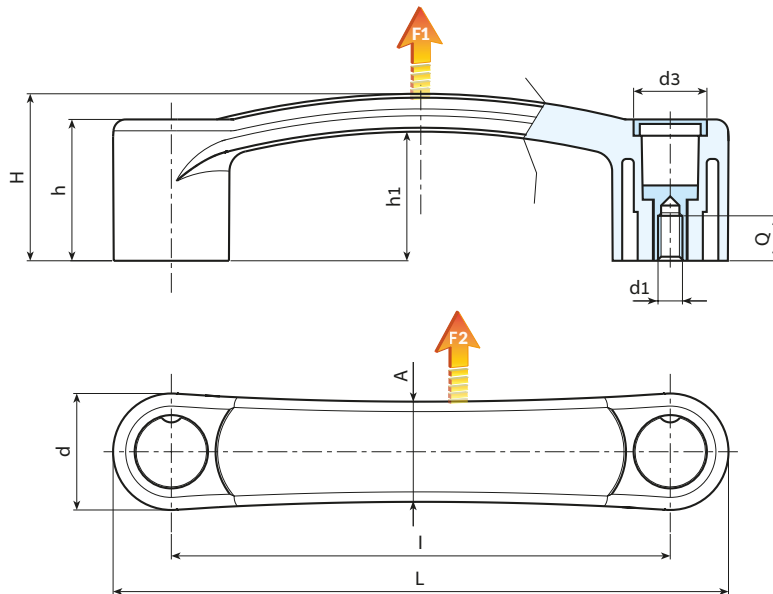
Orange (RAL 2004 code 02).
Blue (RAL 5015 code 07).
Yellow (RAL 1021 code 10).
Red (RAL 3000 code 16).
Green (RAL 6024 code 17).
Black (RAL 9011 code 01).

Inserts:

Brass insert with female threaded hole (thread tolerance 6H).

Special requests:

- Upon request and for special quantities available in the colours indicated in the chart [page].



Stock availability as % (🛒)
90% (●) - 40% (●) - 5% (●)

🛒	art.	L	l	H	h	h1	A	d	d3	Q	d16H	g	F1 (N)	F2 (N)
●	B326094.TM050113	118	94	37	33	30	21	24	16	12	M5	42	2000	2000
●	B326094.TM060113	118	94	37	33	30	21	24	16	12	M6	43	2000	2000
●	B326117.TM050113	145	117	40.5	34	31.5	24	28	18	12	M5	68	3400	2900
●	B326117.TM060113	145	117	40.5	34	31.5	24	28	18	12	M6	67	3400	2900
●	B326117.TM080113	145	117	40.5	34	31.5	24	28	18	12	M8	65	3400	2900
●	B326120.TM050113	148	120	40.5	34	31.5	24	28	18	12	M5	70	3500	1700
●	B326120.TM060113	148	120	40.5	34	31.5	24	28	18	12	M6	69	3500	1700
●	B326120.TM080113	148	120	40.5	34	31.5	24	28	18	12	M8	67	3500	1700
●	B326132.TM080113	160	132	43	36.5	34	24	28	18	12	M8	77	3500	2900

Arbel Agencies LTD.



11 Ba'alei Hamelacha st. Qiryat Bialik P.O.B 1095, ZIP 2751311, ISRAEL
+972(0)48736969 ☎ +972(0)48730708 📠 info@arbel-ltd.com 🌐 www.arbel-ltd.com 🌐

