

B236CIN

SOLID HANDLE WITH STAINLESS STEEL THREADED INSERT

+135°
-30°

PA6
+G.F.

UL94
HB

RoHS
COMPLIANT

INOX

Materials:

Reinforced polyamide. Resistant to oils and greases.

Surface finish:

Satin.

Colour:

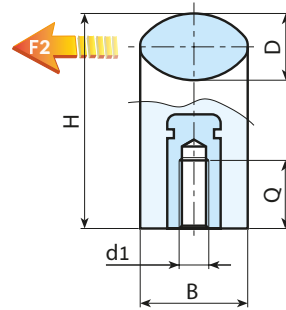
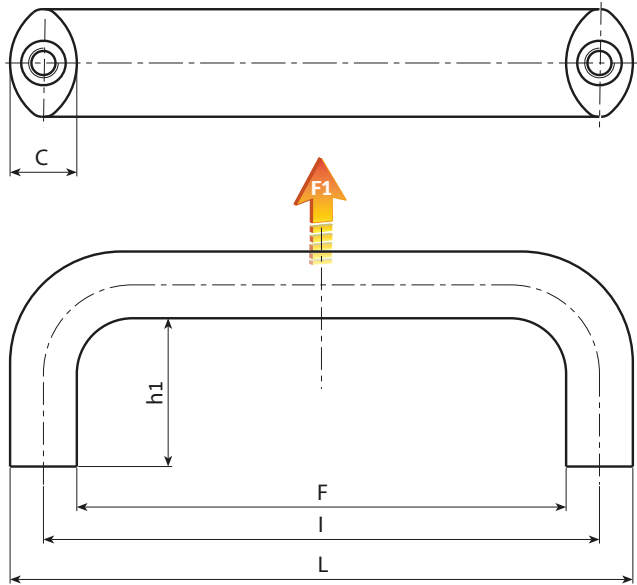
Black (RAL 9011).

Inserts:

Stainless steel insert with female threaded hole (Aisi 303) (thread tolerance 6H).

Special requests:

- Upon request and for special quantities available in the colours indicated in the chart [on page].



INOX

Stock availability as % (🛒)
90% (●) - 40% (●) - 5% (●)

🛒	art.	L	I	F	B	C	D	H	h1	Q	d16H	g	F1 (N)	F2 (N)
●	B236086.TM0501CIN	98.5	86	73.5	20	12.5	12.5	40	28	8	M5	40	4000	1500
●	B236086.TM0601CIN	98.5	86	73.5	20	12.5	12.5	40	28	9	M6	40	4000	1500
●	B236094.TM0501CIN	106.5	94	81.5	20	12.5	12.5	40	28	8	M5	40	3300	1600
●	B236094.TM0601CIN	106.5	94	81.5	20	12.5	12.5	40	28	9	M6	40	3300	1600
●	B236117.TM0501CIN	134	117	102	25	16	16	50	34	8	M5	84	4400	1800
●	B236117.TM0601CIN	134	117	102	25	16	16	50	34	9	M6	81	4400	1800
●	B236117.TM0801CIN	134	117	102	25	16	16	50	34	13	M8	80	4400	1800
●	B236120.TM0501CIN	134	120	102	25	16	16	50	34	8	M5	84	5200	2400
●	B236120.TM0601CIN	134	120	102	25	16	16	50	34	9	M6	81	5200	2400
●	B236120.TM0801CIN	134	120	102	25	16	16	50	34	13	M8	80	5200	2400
●	B236132.TM0501CIN	148	132	116	25	16	16	50	34	8	M5	90	3700	2600
●	B236132.TM0601CIN	148	132	116	25	16	16	50	34	9	M6	88	3700	2600
●	B236132.TM0801CIN	148	132	116	25	16	16	50	34	13	M8	85	3700	2600
●	B236150.TM0601CIN	168	150	132	29	18	18	58	40	9	M6	123	5900	1900
●	B236150.TM0801CIN	168	150	132	29	18	18	58	40	13	M8	121	5900	1900
●	B236150.TM1001CIN	168	150	132	29	18	18	58	40	16	M10	119	5900	1900
●	B236179.TM0801CIN	197	179	161	29	18	18	58	40	13	M8	135	3800	3200
●	B236179.TM1001CIN	197	179	161	29	18	18	58	40	16	M10	133	3800	3200

Arbel Agencies LTD.



11 Ba'alei Hamelacha st. Qiryat Bialik P.O.B 1095, ZIP 2751311, ISRAEL
+972(0)48736969 ☎ +972(0)48730708 📠 info@arbel-ltd.com 📧 www.arbel-ltd.com 🌐

