

B236

SOLID HANDLE WITH THREADED INSERT



Materials:

Reinforced polyamide. Resistant to oils and greases.

Surface finish:

Satin.

Colour:

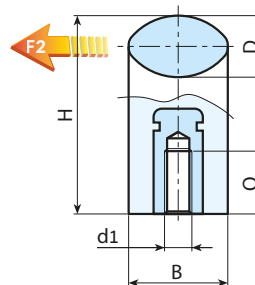
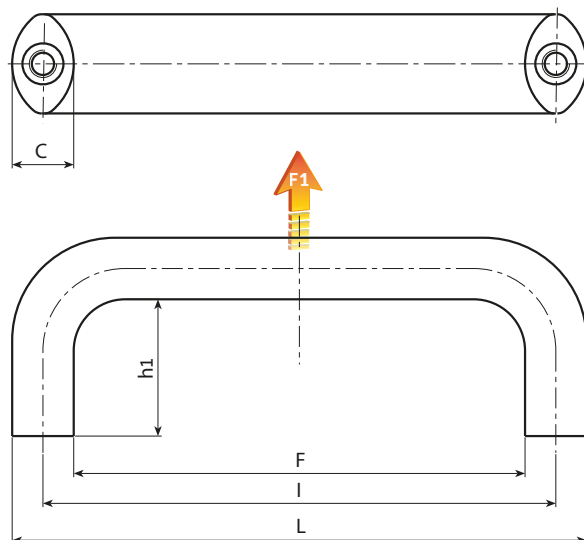
Black (RAL 9011).

Inserts:

Brass insert with female threaded hole (thread tolerance 6H).

Special requests:

- Upon request and for special quantities inserts can be supplied in different materials.
- Upon request and for special quantities available in the colours indicated in the chart [page].



Stock availability as % (🛒)
90% (●) - 40% (●) - 5% (●)

🛒	art.	L	I	F	B	C	D	H	h1	Q	d16H	g	F1 (N)	F2 (N)
●	B236086.TM0501	98.5	86	73.5	20	12.5	12.5	40	28	10	M05	40	4000	1500
●	B236086.TM0601	98.5	86	73.5	20	12.5	12.5	40	28	9	M06	40	4000	1500
●	B236094.TM0501	106.5	94	81.5	20	12.5	12.5	40	28	10	M05	40	3300	1600
●	B236094.TM0601	106.5	94	81.5	20	12.5	12.5	40	28	9	M06	40	3300	1600
●	B236117.TM0501	134	117	102	25	16	16	50	34	10	M05	84	4400	1800
●	B236117.TM0601	134	117	102	25	16	16	50	34	9	M06	81	4400	1800
●	B236117.TM0801	134	117	102	25	16	16	50	34	14	M08	80	4400	1800
●	B236120.TM0501	134	120	102	25	16	16	50	34	10	M05	84	5200	2400
●	B236120.TM0601	134	120	102	25	16	16	50	34	9	M06	81	5200	2400
●	B236120.TM0801	134	120	102	25	16	16	50	34	14	M08	80	5200	2400
●	B236132.TM0501	148	132	116	25	16	16	50	34	10	M05	90	3700	2600
●	B236132.TM0601	148	132	116	25	16	16	50	34	9	M06	88	3700	2600
●	B236132.TM0801	148	132	116	25	16	16	50	34	14	M08	85	3700	2600
●	B236150.TM0601	168	150	132	29	18	18	58	40	15	M06	123	5900	1900
●	B236150.TM0801	168	150	132	29	18	18	58	40	14	M08	121	5900	1900
●	B236150.TM1001	168	150	132	29	18	18	58	40	14	M10	119	5900	1900
●	B236179.TM0801	197	179	161	29	18	18	58	40	14	M08	135	3800	3200
●	B236179.TM1001	197	179	161	29	18	18	58	40	14	M10	133	3800	3200