

B227

INCLINED HANDLE



Materials:

Reinforced polypropylene.

Surface finish:

Satin.

Colour:

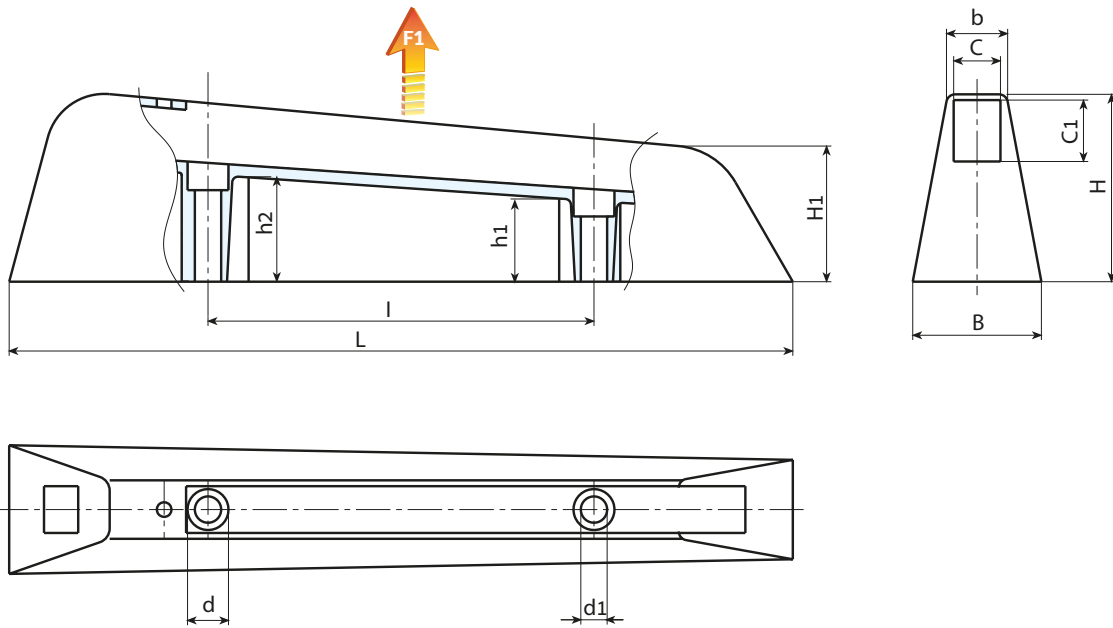
Black (RAL 9011).

Hole:

Smooth through hole obtained by moulding the plastic.

Special requests:

- None.



Stock availability as % (🛒)
 90% (●) - 40% (●) - 5% (●)

art.	L	I	B	b	H	H1	h1	h2	C	C1	d	d1	g	F1(N)
● B227132.TG08.501PP	268	132	44	20	65	46	26	34	15.5	20.5	14	8.5	106	1540