

B226AE

SELF-EXTINGUISHING FIXED HANDLE WITH THREADED INSERT



PA6
+G.F.

UL94
V0



UL94 - V0

Materials:

Self-extinguishing reinforced polyamide UL94 V0 with yellow card.
Resistant to oils and greases.

Surface finish:

Satin.

Colour:

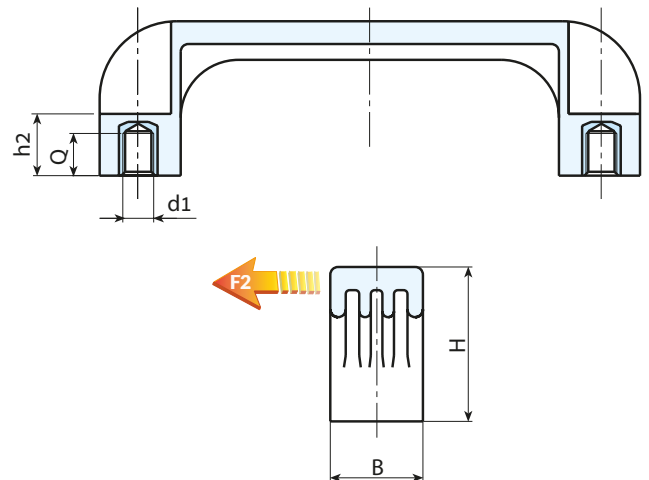
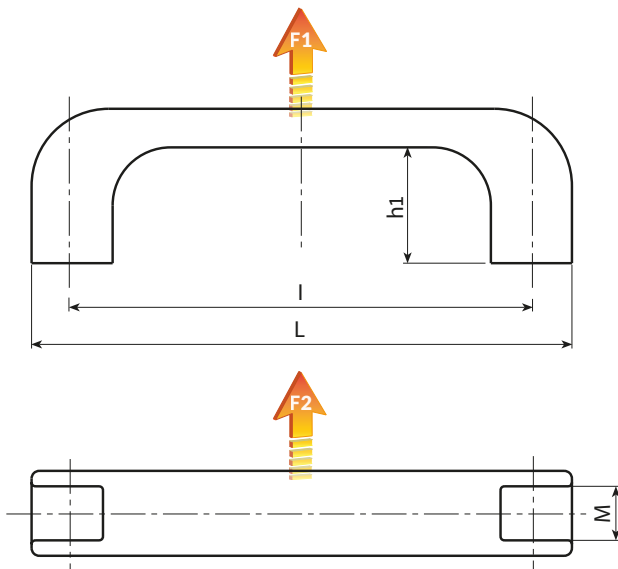
Black (RAL 9011).

Inserts:

Brass insert with female threaded hole (thread tolerance 6H).

Special requests:

- Upon request and for special quantities inserts can be supplied in different materials.



UL94 V0

Stock availability as % (🛒)
90% (●) - 40% (●) - 5% (●)

🛒	art.	L	l	B	M	H	h1	h2	Q	d1 _{6H}	🔒	F1 (N)	F2 (N)
●	B226094.TM0501AE	110	94	21	13	37	29	13	7	M5	23	4300	1300
●	B226094.TM0601AE	110	94	21	13	37	29	13	7	M6	23	4300	1300
●	B226117.TM0501AE	140	117	24	13	40	29	15	10	M5	43	4100	2800
●	B226117.TM0601AE	140	117	24	13	40	29	15	9	M6	43	4100	2800
●	B226117.TM0801AE	140	117	24	13	40	29	15	9	M8	43	4100	2800
●	B226120.TM0501AE	140	120	24	14	40	29	15	10	M5	43	6100	2800
●	B226120.TM0601AE	140	120	24	14	40	29	15	9	M6	43	6100	2800
●	B226120.TM0801AE	140	120	24	14	40	29	15	9	M8	43	6100	2800
●	B226132.TM0501AE	151	132	26	14	43	31	16	10	M5	70	7300	3500
●	B226132.TM0601AE	151	132	26	14	43	31	16	9	M6	70	7300	3500
●	B226132.TM0801AE	151	132	26	14	43	31	16	9	M8	70	3700	2800
●	B226180.TM0801AE	200	180	28	17	51	39	21	14	M8	88	3700	2800
●	B226235.TM0801AE	262	235	32	20	53	40	21	14	M8	123	4300	3200
●	B226235.TM1001AE	262	235	32	20	53	40	21	14	M10	123	4300	3200