

# B225

## FIXED HANDLE FOR CURVED SURFACES



**Materials:**

Reinforced polyamide.  
Resistant to oils and greases.

**Surface finish:**

Satin.

**Colour:**

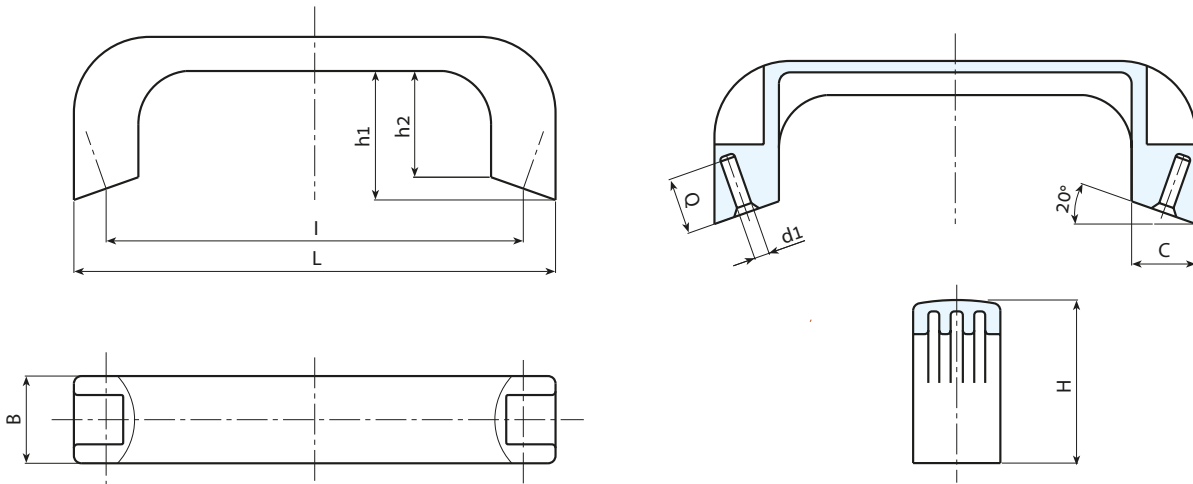
Black (RAL 9011).

**Hole:**

Smooth through hole obtained by moulding the plastic for self-tapping screw.

**Special requests:**

- Upon request and for special quantities available in the colours indicated in the chart [page].



Stock availability as % (🛒)  
90% (●) - 40% (●) - 5% (●)

art.	L	l	B	H	h1	C	d1	Q	g
● B225110.TG0401CP	127	110	24	43	34	16	4	16	35