

B223



FIXED BRIDGE HANDLE WITH SMOOTH THROUGH HOLE

Materials:

Phenolic resin.
Resistant to oils and greases.
Resistant to high temperatures.

Surface finish:

Glossy.

Colour:

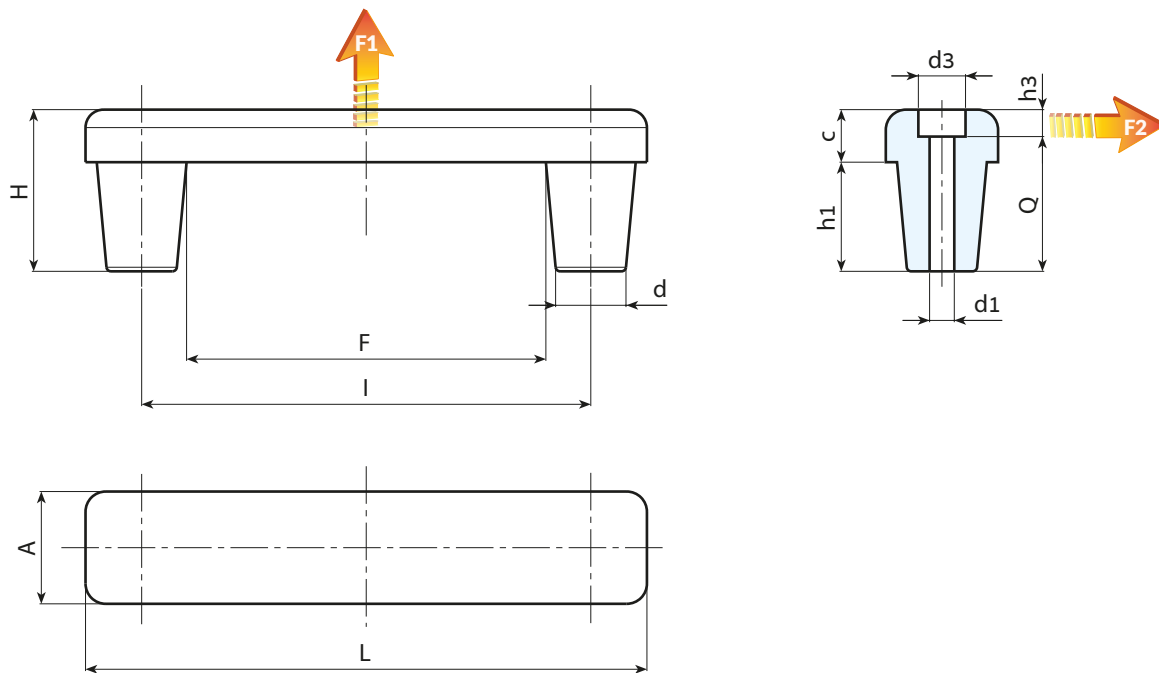
Black (RAL 9011).

Hole:

Smooth through hole obtained by moulding the plastic.

Special requests:

- None.



Stock availability as % (🛒)
90% (●) - 40% (●) - 5% (●)

🛒	art.	L	I	F	A	H	h1	h3	c	d	d3	d1	Q	📦	F1 (N)	F2 (N)
●	B223100.BG5.501PP	125	100	80	25	34	23.5	6	10.5	15.5	10.5	5.5	30	55	2000	1400