

B222

FIXED BRIDGE HANDLE WITH THREADED HOLE



Materials:

Phenolic resin.
Resistant to oils and greases.
Resistant to high temperatures.

Surface finish:

Glossy.

Colour:

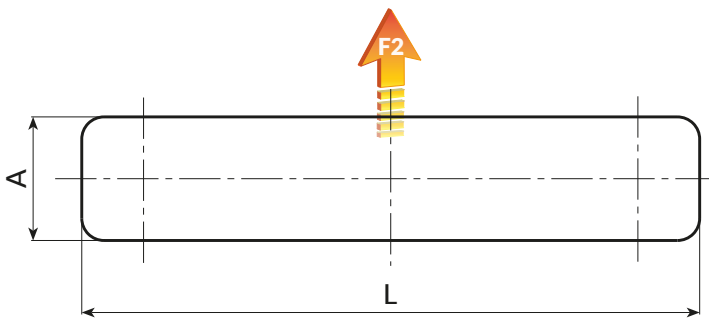
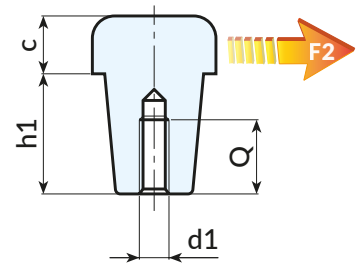
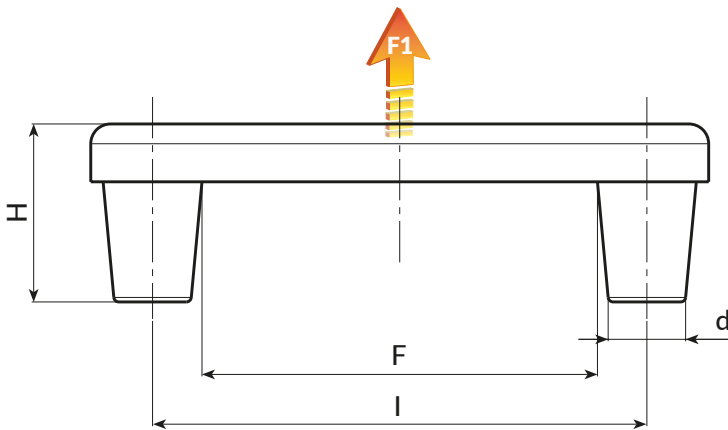
Black (RAL 9011).

Hole:

Female threaded hole obtained by moulding the plastic.

Special requests:

- None.



Stock availability as % (🛒)
90% (●) -40% (●) -5% (●)

art.	L	I	F	A	H	h1	c	d	d1	Q	F1 (N)	F2 (N)
B222100.BM0601	125	100	80	25	35.5	23.5	12	15.5	M6	15	63	2000 1400

Arbel Agencies LTD.



11 Ba'alei Hamelacha st. Qiryat Bialik P.O.B 1095, ZIP 2751311, ISRAEL
+972(0)48736969 ☎ +972(0)48730708 📠 info@arbel-ltd.com 🌐 www.arbel-ltd.com 🌐

