

# B221

## FIXED HANDLE WITH NUT



### Materials:

Reinforced polyamide.  
Resistant to oils and greases.

### Surface finish:

Satin.

### Colour:

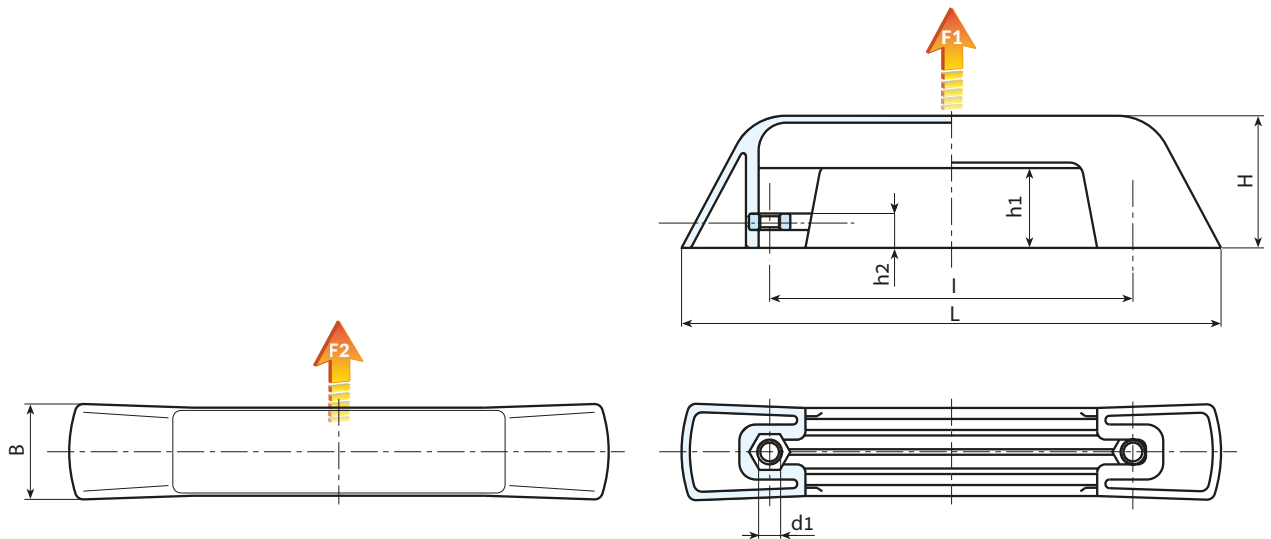
Black (RAL 9011).

### Inserts:

Black oxide treated steel nuts DIN 934 - UNI 5588.

### Special requests:

- Upon request and for special quantities inserts can be supplied in different materials.
- Upon request and for special quantities available in the colours indicated in the chart [page].



Stock availability as % (🛒)  
90% (●) - 40% (●) - 5% (●)

🛒	art.	L	I	B	H	h1	h2	d1	g	F1 (N)	F2 (N)
●	B221132.TM0801	198	132	34	48	29	12.5	M8	107	6785	3400