

# B219



## DUROPLAST FIXED BRIDGE HANDLE WITH THREADED BORE INSERT

### Materials:

Phenolic resin.  
Resistant to oils and greases.  
Resistant to high temperatures.

### Surface finish:

Glossy.

### Colour:

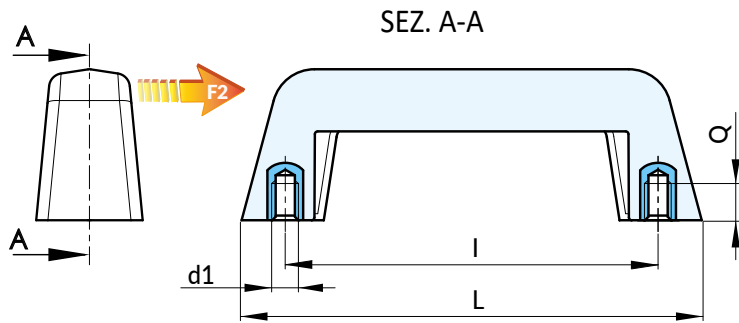
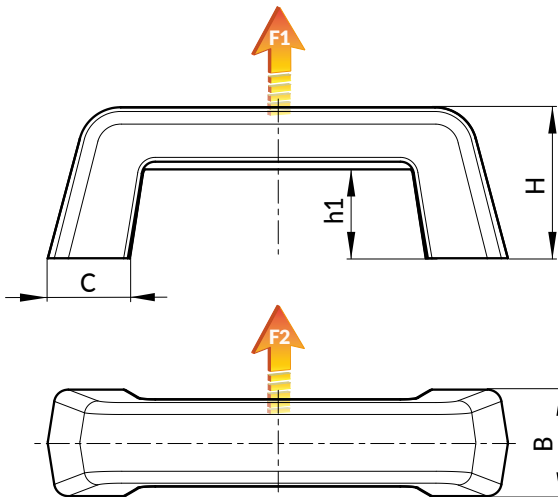
Black (RAL 9011).

### Inserts:

Brass insert with female threaded hole (thread tolerance 6H).

### Special requests:

- None.



Stock availability as % (🛒)  
90% (●) - 40% (●) - 5% (●)

🛒	art.	L	I	B	H	h1	C	d1 <sub>6H</sub>	Q	g	F1 (N)	F2 (N)
●	B219110.BM0501	130	110	30	45	27	20	M5	10	89	800	500
●	B219110.BM0601	130	110	30	45	27	20	M6	10	90	800	500
●	B219132.BM0801	164	132	38	55	34	30	M8	13	170	1500	850
●	B219132.BM1001	164	132	38	55	34	30	M10	18	172	1500	850
●	B219150.BM0801	188	150	40	60	43	35	M8	18	204	2000	1000
●	B219150.BM1001	188	150	40	60	43	35	M10	18	206	2000	1000