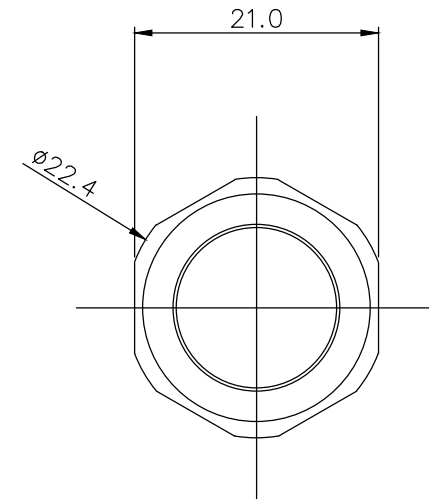
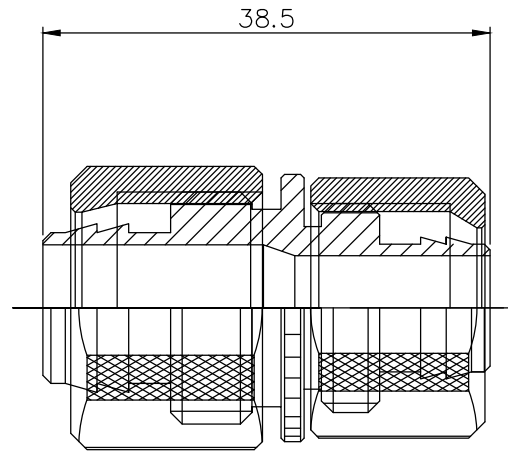
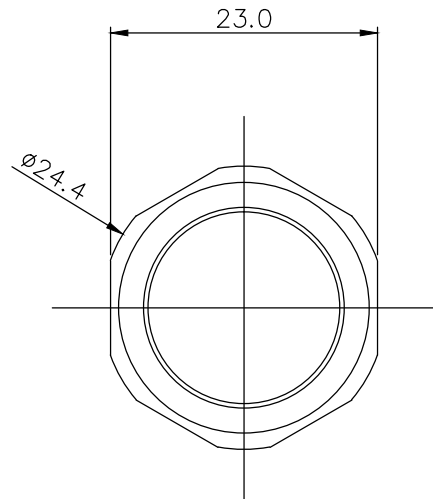


Tubing Adapter Single for 10mm x 13mm (3/8in
x 1/2in) to 13mm x 16mm (1/2in x 5/8in)




Koolance tubing adapter from 10mm (3/8in) ID x 13mm
(1/2in) OD to 13mm (1/2in) ID x 16mm (5/8in) OD.

General	
Weight	0.15 lb (0.07 kg)
Max Pressure Tolerance @ 25°C	15kgf/cm2 (213.4psi)
Max Temperature Tolerance	200°C (392°F)
Wetted Materials	Brass, Nickel Plating



REV	DATE	CONTENTS	REVD BY	CHKD BY	APPD BY
REVISION					

DESCRIPTION		MATER'L		QUANTITY	REMARKS
		UNIT	MM	ITEM	ADT-10T30S
		SCALE	N/S	TITLE	
DATE	BY	BY	BY	APPRO	BY
			3RD ANGLE		Mechanical Dimension
AK. SONG		CODE NO.		DWG. NO.	