

# A595CIN NEW



Aisi 304

Aisi 303



## FULL STAINLESS STEEL INDEXED CLAMPING LEVER WITH THREADED STUD

INOX

**Materials:**

Lever body in precision-cast stainless steel (Aisi 304).

**Surface finish:**

Brushed.

**Colour:**

Natural.

**Inserts:**

Stainless steel insert with threaded stud (Aisi 303) (thread tolerance 6g).

**Fixing screw:**

Stainless steel screw (Aisi 303) with slotted head.

**Spring:**

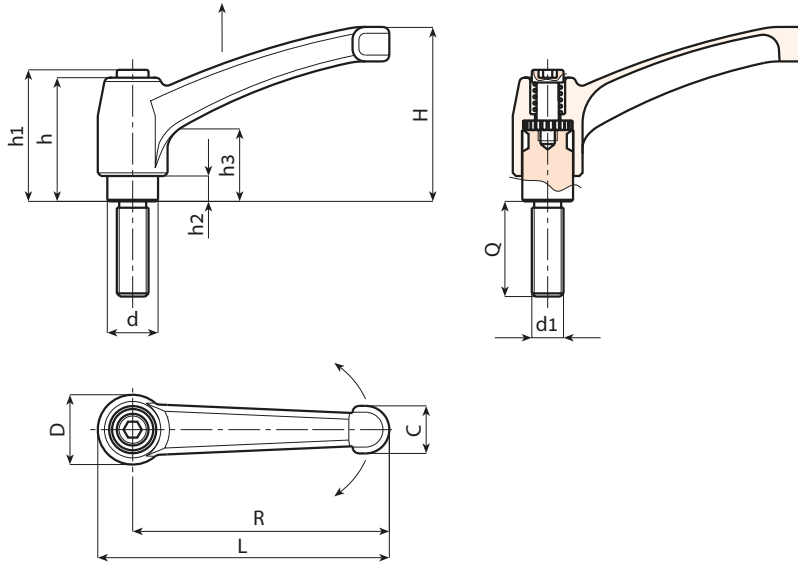
Stainless steel spring (Aisi 302).

**Special requests:**

- Upon request and for a minimum of 300 pieces inserts can be supplied with customised lengths.

**Attention:**

For lengths exceeding LM, the threaded stud is supplied assembled.



INOX

Stock availability as % (🛒)  
90% (●) - 40% (●) - 5% (●)

Art.	L	R	H	D	d	c	h	h1	h2	h3	LM	d1 <sub>6g</sub>	Q	g
A595043.IM05X..CIN	50	43	30	14	10	9	26	30	5	14	50	M5	16-20-30	31-32-34
A595043.IM06X..CIN	50	43	30	14	10	9	26	30	5	14	50	M6	16-20-30	31-32-34
A595065.IM08X..CIN	75	65	45	19	14	13	32	34	7	14	60	M8	16-20-30-40	82-83-86-89
A595065.IM10X..CIN	75	65	45	19	14	13	32	34	7	14	60	M10	30-40	94-99
A595080.IM10X..CIN	91	80	57	22	16	16	40	42	8	16	60	M10	20-30-40	146-151-156
A595080.IM12X..CIN	91	80	57	22	16	16	40	42	8	16	60	M12	20-30-50	150-157-171
A595094.IM12X..CIN	107	94	65	26	20	17.5	47	50	10.5	19	60	M12	20-30	229-236
A595094.IM14X..CIN	107	94	65	26	20	17.5	47	50	10.5	19	60	M14	30-50	240-260
A595094.IM16X50CIN	107	94	65	26	20	17.5	47	50	10.5	19	70	M16	50	278

A.R. = Upon request, for a minimum of 300/600 pieces.

LM = maximum turning length.



**Arbel Agencies LTD.**

11 Ba'alei Hamelacha st. Qiryat Bialik P.O.B 1095, ZIP 2751311, ISRAEL  
+972(0)48736969 ☎ +972(0)48730708 📠 info@arbel-ltd.com 📧 www.arbel-ltd.com 🌐

