

A594CIN NEW



Aisi 304

Aisi 303



FULL STAINLESS STEEL INDEXED CLAMPING LEVER WITH THREADED INSERT

INOX

Materials:

Lever body in precision-cast stainless steel (Aisi 304).

Surface finish:

Brushed.

Colour:

Natural.

Inserts:

Stainless steel insert with female threaded hole (Aisi 303) (thread tolerance 6H).

Fixing screw:

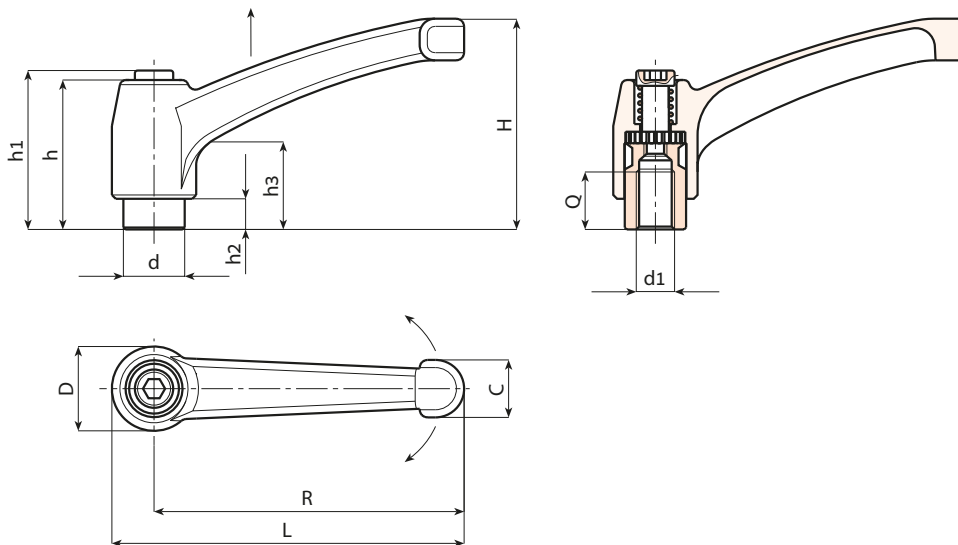
Stainless steel screw (Aisi 303) with slotted head.

Spring:

Stainless steel spring (Aisi 302).

Special requests:

- None.



INOX

Stock availability as % (🛒)
90% (●) - 40% (●) - 5% (●)

🛒	Art.	L	R	H	D	d	c	h	h1	h2	h3	d16H	Q	🛒
●	A594043.IM05CIN	50	43	30	14	10	9	26	30	5	14	M5	9	30
●	A594043.IM06CIN	50	43	30	14	10	9	26	30	5	14	M6	9	28
●	A594065.IM06CIN	75	65	45	19	14	13	32	34	7	14	M6	10	78
●	A594065.IM08CIN	75	65	45	19	14	13	32	34	7	14	M8	10	76
●	A594065.IM10CIN	75	65	45	19	14	13	32	34	7	14	M10	10	74
●	A594080.IM08CIN	91	80	57	22	16	16	40	42	8	16	M8	14	134
●	A594080.IM10CIN	91	80	57	22	16	16	40	42	8	16	M10	13	130
●	A594080.IM12CIN	91	80	57	22	16	16	40	42	8	16	M12	12	128
●	A594094.IM10CIN	107	94	65	26	20	18	47	50	10.5	19	M10	17	191
●	A594094.IM12CIN	107	94	65	26	20	18	47	50	10.5	19	M12	17	195
●	A594094.IM14CIN	107	94	65	26	20	18	47	50	10.5	19	M14	17	190



Arbel Agencies LTD.
11 Ba'alei Hamelacha st. Qiryat Bialik P.O.B 1095, ZIP 2751311, ISRAEL
+972(0)48736969 ☎ +972(0)48730708 📠 info@arbel-ltd.com 🌐 www.arbel-ltd.com 🌐

