

A593CIN



INDEXED ZAMAK CLAMPING LEVER WITH THREADED STAINLESS STEEL STUD

INOX

Materials:

Lever body in die-cast zamak (zinc, aluminium and copper alloy).

Surface finish:

Smooth. Epoxy powder coating.

Lever body colour:

Glossy black (RAL 9005 cod. 01).
 Matt black (RAL 9005 cod. 20).
 Orange (RAL 2004 code 02).
 Red (RAL 3000 code 16).
 Silver (RAL 9006 cod. 83).
 Grey (RAL 7031 cod. 80).
 Blue (RAL 5015 code 07).
 Untreated lever (code GRE).

Inserts:

Stainless steel insert with threaded stud (Aisi 303) (thread tolerance 6g).

Fixing screw:

Stainless steel screw (Aisi 304) with hexagon socket head.

Spring:

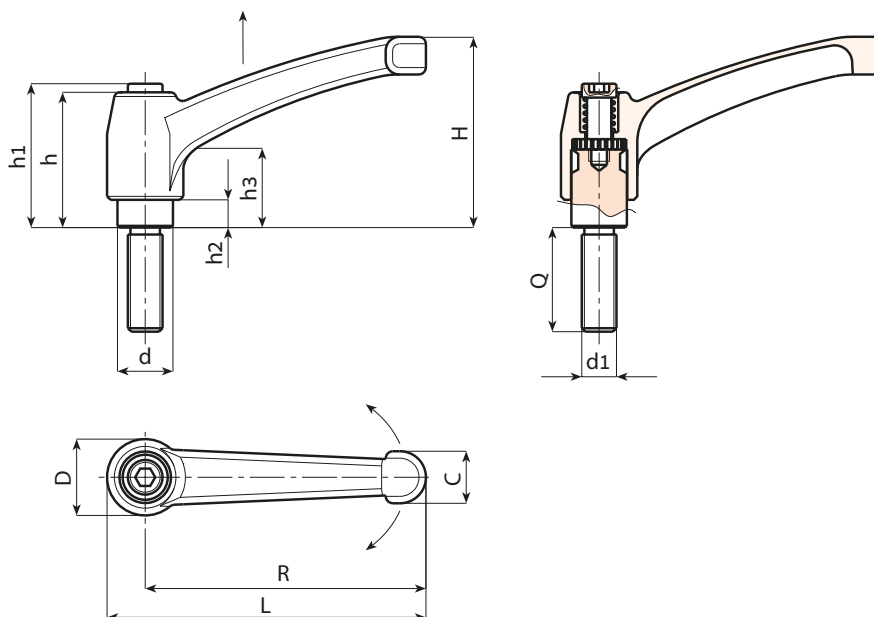
Stainless steel spring (Aisi 302).

Special requests:

- Upon request and for a minimum of 50 pieces inserts can be supplied with customised lengths.

Attention:

For lengths exceeding LM, the threaded stud is supplied assembled.



Stock availability as % (🛒)
 90% (●) - 40% (●) - 5% (●)

Art.	L	R	H	D	d	c	h	h1	h2	h3	LM	d1 _{6g}	Q	g
A593043.ZM05X....CIN	50	43	30	14	10	9	26	30	5	14	50	M5	16-20-30	31-32-34
A593043.ZM06X....CIN	50	43	30	14	10	9	26	30	5	14	50	M6	16-20-30	31-32-34
A593043.ZM08X....CIN	50	43	30	14	10	9	26	30	5	14	60	M8	25	39
A593065.ZM08X....CIN	75	65	45	19	14	13	32	34	7	14	60	M8	16-20-30-40	82-83-86-89
A593065.ZM10X....CIN	75	65	45	19	14	13	32	34	7	14	60	M10	30-40	94-99
A593080.ZM10X....CIN	91	80	57	22	16	16	40	42	8	16	60	M10	20-30-40	146-151-156
A593080.ZM12X....CIN	91	80	57	22	16	16	40	42	8	16	60	M12	20-30-50	150-157-171
A593094.ZM12X....CIN	107	94	65	26	20	17.5	47	50	10.5	19	60	M12	20-30	229-236
A593094.ZM14X....CIN	107	94	65	26	20	17.5	47	50	10.5	19	60	M14	30-50	240-260
A593094.ZM16X....CIN	107	94	65	26	20	17.5	47	50	10.5	19	70	M16	50	278
A593108.ZM14X....CIN	123	108	75	30	23	20	54	56	12	23	70	M14	A.R.	-
A593108.ZM16X....CIN	123	108	75	30	23	20	54	56	12	23	70	M16	A.R.	-

Enter the selected stud length and colour code in place of the four dots ... Example: Lever R80 M10x30 Red - A593080.ZM10x3016CIN.

A.R. = Upon request, for a minimum of 300/600 pieces.

LM = maximum turning length.



Arbel Agencies LTD.

11 Ba'alei Hamelacha st. Qiryat Bialik P.O.B 1095, ZIP 2751311, ISRAEL
 +972(0)48736969 ☎ +972(0)48730708 📠 info@arbel-ltd.com 📧 www.arbel-ltd.com 🌐

