

A593

INDEXED ZAMAK CLAMPING LEVER WITH THREADED STUD



Materials:

Lever body in die-cast zamak (zinc, aluminium and copper alloy).

Surface finish:

Smooth. Epoxy powder coating.

Lever body colour:

Glossy black (RAL 9005 cod. 01).
 Matt black (RAL 9005 cod. 20).
 Orange (RAL 2004 code 02).
 Red (RAL 3000 code 16).
 Silver (RAL 9006 cod. 83).
 Grey (RAL 7031 cod. 80).
 Blue (RAL 5015 code 07).
 Untreated lever (code GRE).

Inserts:

Black-oxide treated steel insert with threaded stud (thread tolerance 6g).

Fixing screw:

Black oxide treated steel screw with hexagon socket head.

Spring:

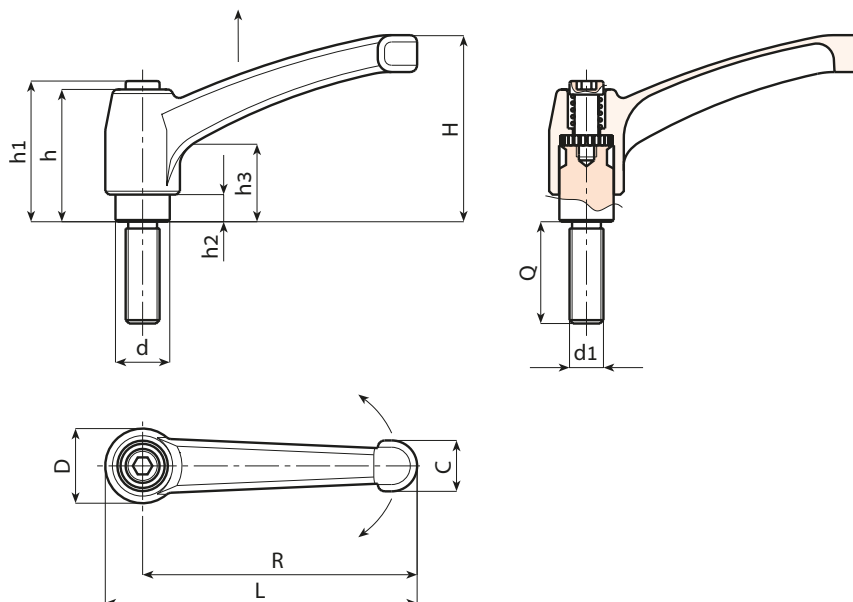
Stainless steel spring (Aisi 302).

Special requests:

- Upon request and for a minimum of 50 pieces inserts can be supplied with customised lengths.

Attention:

For lengths exceeding LM, the threaded stud is supplied galvanised and assembled.



Stock availability as % (🛒)
 90% (●) - 40% (●) - 5% (●)

Art.	L	R	H	D	d	c	h	h1	h2	h3	LM	d1 _{6g}	Q	🛒
A593043.ZM04X...	50	43	30	14	10	9	26	30	5	14	50	M4	16-20-25-30	30-30-31-31
A593043.ZM05X....	50	43	30	14	10	9	26	30	5	14	50	M5	16-20-30-40	31-32-34-35
A593043.ZM06X....	50	43	30	14	10	9	26	30	5	14	60	M6	16-20-25-30-40-50	31-32-33-34-35-36
A593043.ZM08X....	50	43	30	14	10	9	26	30	5	14	60	M8	16-25-30-40-50	35-38-40-43-46
A593065.ZM06X....	75	65	45	19	14	13	32	34	7	14	60	M6	20-30-40-50	82-84-86-88
A593065.ZM08X....	75	65	45	19	14	13	32	34	7	14	60	M8	16-20-25-30-35-40-45-50	82-83-84-86-88-89-90-92
A593065.ZM10X....	75	65	45	19	14	13	32	34	7	14	60	M10	20-25-30-40-50	89-91-94-99-104
A593080.ZM08X....	91	80	57	22	16	16	40	42	8	16	60	M8	20-25-30-35-40-50	142-144-145-147-148-151
A593080.ZM10X....	91	80	57	22	16	16	40	42	8	16	60	M10	20-25-30-35-40-50-60	146-148-151-153-156-161-166
A593080.ZM12X....	91	80	57	22	16	16	40	42	8	16	70	M12	20-30-40-50-60	150-157-164-171-178
A593094.ZM12X....	107	94	65	26	20	17.5	47	50	10.5	19	70	M12	20-30-40-50	229-236-243-250
A593094.ZM14X....	107	94	65	26	20	17.5	47	50	10.5	19	70	M14	30-35-40-50-60	240-245-250-260-270
A593094.ZM16X....	107	94	65	26	20	17.5	47	50	10.5	19	80	M16	30-40-50	254-266-278
A593108.ZM12X....	123	108	75	30	23	20	54	56	12	23	80	M12	25-50	330-347
A593108.ZM14X....	123	108	75	30	23	20	54	56	12	23	80	M14	30-40-60	340-360-380
A593108.ZM16X....	123	108	75	30	23	20	54	56	12	23	80	M16	30-40-50-60	342-356-370-384
A593108.ZM18X....	123	108	75	30	23	20	54	56	12	23	80	M18	A.R.	-

In place of the four dots . . . enter the selected stud length and colour code. Example: Lever R80 M10x30 Red - A593080.ZM10x3016.

A.R. = Upon request, for a minimum of 300/600 pieces.

LM = maximum turning length.



Arbel Agencies LTD.
 11 Ba'alei Hamelacha st. Qiryat Bialik P.O.B 1095, ZIP 2751311, ISRAEL
 +972(0)48736969 ☎ +972(0)48730708 📠 info@arbel-ltd.com 📧 www.arbel-ltd.com 🌐

