

# A592

## INDEXED ZAMAK CLAMPING LEVER WITH THREADED INSERT



Zamak

UL94  
HB



### Materials:

Lever body in die-cast zamak (zinc, aluminium and copper alloy).

### Surface finish:

Smooth. Epoxy powder coating.

### Lever body colour:

Glossy black (RAL 9005 cod. 01).  
 Matt black (RAL 9005 cod. 20).  
 Orange (RAL 2004 code 02).  
 Red (RAL 3000 code 16).  
 Silver (RAL 9006 cod. 83).  
 Grey (RAL 7031 cod. 80).  
 Blue (RAL 5015 code 07).  
 Untreated lever (code GRE).

### Inserts:

Black-oxide treated steel insert with female threaded hole (thread tolerance 6H).

### Fixing screw:

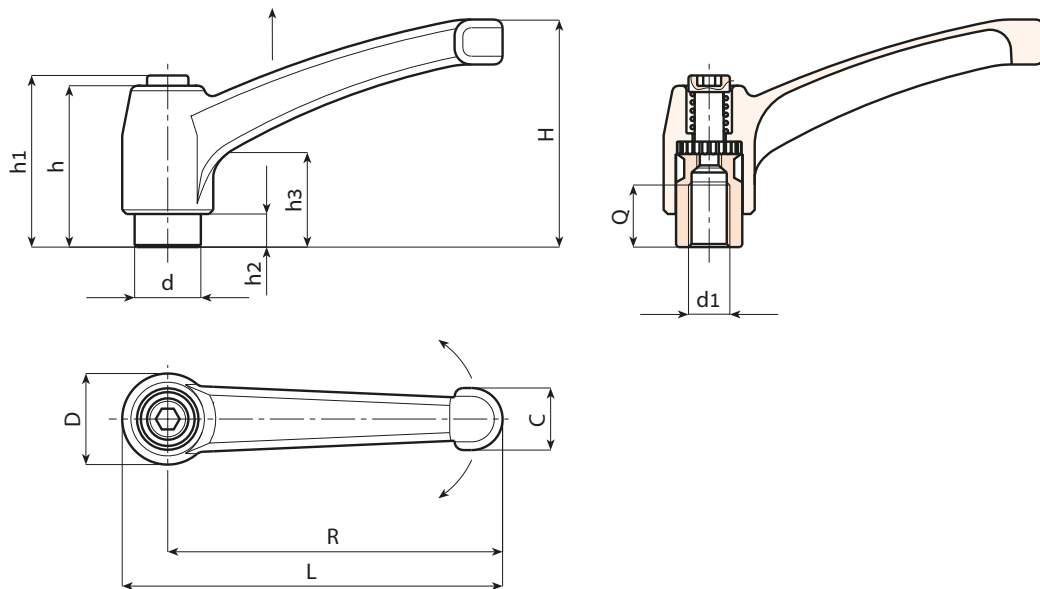
Black oxide treated steel screw with hexagon socket head.

### Spring:

Stainless steel spring (Aisi 302).

### Special requests:

- None.



Stock availability as % (🛒)  
 90% (●) - 40% (●) - 5% (●)

🛒	Art.	L	R	H	D	d	c	h	h1	h2	h3	d1 <sub>6H</sub>	Q	📦
●	A592043.ZM04..	50	43	30	14	10	9	26	30	5	14	M4	7	30
●	A592043.ZM05..	50	43	30	14	10	9	26	30	5	14	M5	9	30
●	A592043.ZM06..	50	43	30	14	10	9	26	30	5	14	M6	9	28
●	A592065.ZM06..	75	65	45	19	14	13	32	34	7	14	M6	10	76
●	A592065.ZM08..	75	65	45	19	14	13	32	34	7	14	M8	10	76
●	A592065.ZM10..	75	65	45	19	14	13	32	34	7	14	M10	9	73
●	A592080.ZM08..	91	80	57	22	16	16	40	42	8	16	M8	14	134
●	A592080.ZM10..	91	80	57	22	16	16	40	42	8	16	M10	13	130
●	A592080.ZM12..	91	80	57	22	16	16	40	42	8	16	M12	12	128
●	A592094.ZM12..	107	94	65	26	20	18	47	50	10.5	19	M12	17	195
●	A592094.ZM14..	107	94	65	26	20	18	47	50	10.5	19	M14	17	190
●	A592094.ZM16..	107	94	65	26	20	18	47	50	10.5	19	M16	17	188
●	A592108.ZM14..	123	108	75	30	23	20	54	56	12	23	M14	26	298
●	A592108.ZM16..	123	108	75	30	23	20	54	56	12	23	M16	26	284
●	A592108.ZM18..	123	108	75	30	23	20	54	56	12	23	M18	25	270

In place of the two dots... enter the selected colour code. Example: Lever R80 M10 Red - A592080.ZM1016



Arbel Agencies LTD.

11 Ba'alei Hamelacha st. Qiryat Bialik P.O.B 1095, ZIP 2751311, ISRAEL  
 +972(0)48736969 ☎ +972(0)48730708 📠 info@arbel-ltd.com 📧 www.arbel-ltd.com 🌐

