

# A583CIN

## "EUROMODEL" INDEXED CLAMPING LEVER WITH BUTTON AND STAINLESS STEEL THREADED STUD



INOX

### Materials:

Special technopolymer reinforced with high-strength glass fiber.  
Resistant to oils and greases.

### Surface finish:

Satin.

### Lever body and insert colour:

Black (RAL 9011).

### Inserts:

Stainless steel threaded stud (Aisi 303) (thread tolerance 6g).

### Button:

Black polyamide button (RAL 9011).

### Spring:

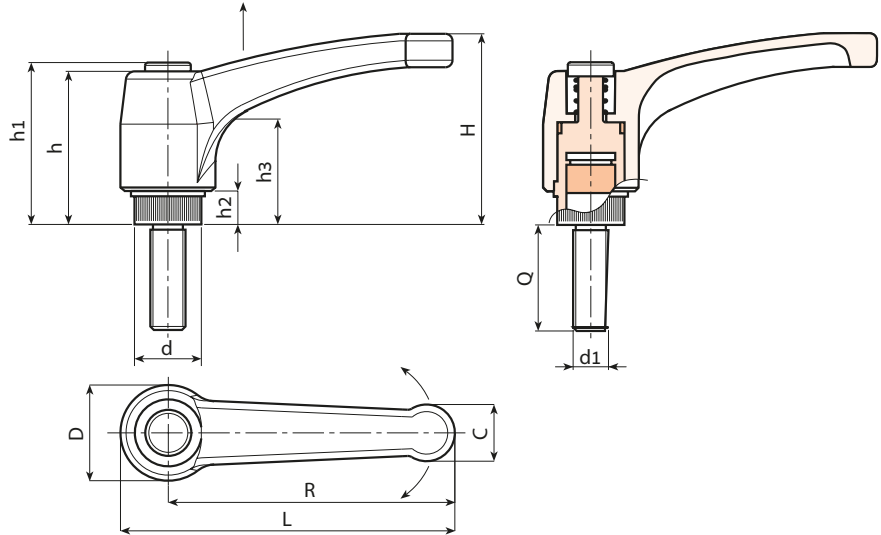
Stainless steel spring (Aisi 302).

### Alternative lever body and button colours:

Orange (RAL 2004 code 02).  
Blue (RAL 5015 code 07).  
Yellow (RAL 1021 code 10).  
Red (RAL 3000 code 16).  
Green (RAL 6024 code 17).  
Grey (RAL 7035 cod. 13).

### Special requests:

- Upon request and for special quantities inserts can be supplied with customised lengths.
- Upon request and for special quantities available in the colours indicated in the chart (attention: reduced range) [page].



Stock availability as % (🛒)  
90% (●) - 40% (●) - 5% (●)

Art.	L	R	H	D	d	c	h	h1	h2	h3	LM	d1 <sub>6g</sub>	Q	📦
A583043.TM04X..01CIN	51	43	33	17	11.5	9	29	32	6	18	75	M4	16-20-30	12-13-14
A583043.TM05X..01CIN	51	43	33	17	11.5	9	29	32	6	18	75	M5	16-20-30	12-14-15
A583043.TM06X..01CIN	51	43	33	17	11.5	9	29	32	6	18	75	M6	16-20-30-40	17-18-20-22
A583052.TM06X..01CIN	63	52	41	22	15	12	36	40	8	23	90	M6	16-20-30-40	25-26-28-30
A583052.TM08X..01CIN	63	52	41	22	15	12	36	40	8	23	90	M8	16-20-30-40	27-28-31-33
A583052.TM10X..01CIN	63	52	41	22	15	12	36	40	8	23	90	M10	16-20-30-40	33-35-40-45
A583065.TM06X..01CIN	76	65	43	23	15	13	36	40	8	24	90	M6	16-20-30-40	28-29-31-32,5
A583065.TM08X..01CIN	76	65	43	23	15	13	36	40	8	24	90	M8	16-20-30-40	33-35-38-41
A583065.TM10X..01CIN	76	65	43	23	15	13	36	40	8	24	90	M10	16-20-30-40	39-41-46-51
A583080.TM08X..01CIN	93	80	54	27	19	15.5	44	48	8.5	29	90	M8	16-20-30-40-50	46-49-51-54-57
A583080.TM10X..01CIN	93	80	54	27	19	15.5	44	48	8.5	29	90	M10	20-30-40-50	56-61-66-71
A583080.TM12X..01CIN	93	80	54	27	19	15.5	44	48	8.5	29	90	M12	20-30-40-50	68-75-82-89
A583094.TM08X..01CIN	109	94	56	30	19	18	45	49	9	30	90	M8	20-30-40-50	52-55-58-61
A583094.TM10X..01CIN	109	94	56	30	19	18	45	49	9	30	90	M10	20-30-40-50	63-68-73-78
A583094.TM12X..01CIN	109	94	56	30	19	18	45	49	9	30	90	M12	20-30-40-50	75-82-89-96
A583108.TM12X..01CIN	125	108	64	34	24	21	51	55	10	35	100	M12	20-30-40-50	103-110-117-124
A583108.TM14X..01CIN	125	108	64	34	24	21	51	55	10	35	100	M14	20-30-40-50	109-116-123-136
A583108.TM16X..01CIN	125	108	64	34	24	21	51	55	10	35	100	M16	20-30-40-50	127-139-151-163

Enter the selected stud length in place of the two dots . . in the item code. Customised stud length available for a minimum of 50 pieces.

LM = Maximum mouldable length.

Arbel Agencies LTD.



11 Ba'alei Hamelacha st. Qiryat Bialik P.O.B 1095, ZIP 2751311, ISRAEL  
+972(0)48736969 ☎ +972(0)48730708 📠 info@arbel-ltd.com 📧 www.arbel-ltd.com 🌐

