

A583



“EUROMODEL” INDEXED CLAMPING LEVER WITH BUTTON AND THREADED STUD

Materials:

Special technopolymer reinforced with high-strength glass fiber.
Resistant to oils and greases.

Surface finish:

Satin.

Lever body and insert colour:

Black (RAL 9011).

Inserts:

Galvanised steel threaded stud (tolerance 6g).

Button:

Black polyamide button (RAL 9011).

Spring:

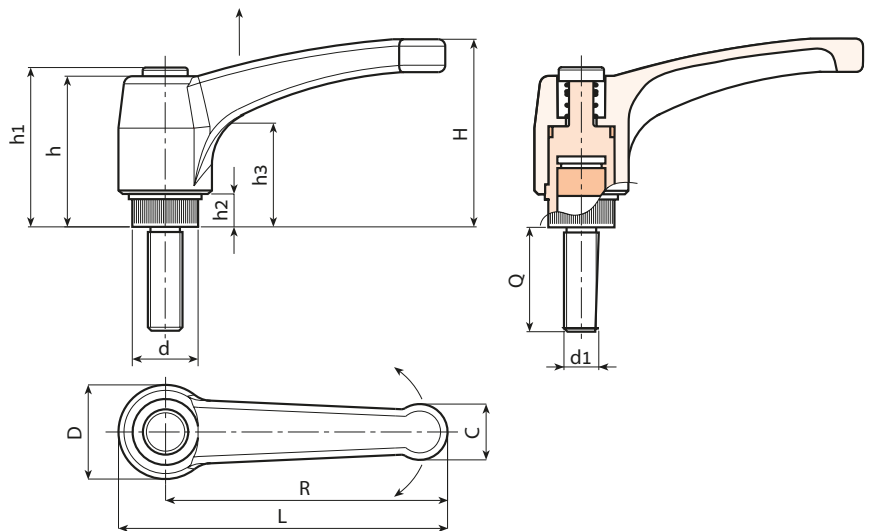
Stainless steel spring (Aisi 302).

Alternative lever body and button colours:

Orange (RAL 2004 code 02).
Blue (RAL 5015 code 07).
Yellow (RAL 1021 code 10).
Red (RAL 3000 code 16).
Green (RAL 6024 code 17).
Grey (RAL 7035 cod. 13).

Special requests:

- Upon request and for special quantities inserts can be supplied with customised lengths.
- Upon request and for special quantities inserts can be supplied in different materials.
- Upon request and for special quantities available in the colours indicated in the chart (attention: reduced range) [page].



Art.	L	R	H	D	d	c	h	h1	h2	h3	LM	d16g	Q	g
A583043.TM04X..01	51	43	33	17	11.5	9	29	32	6	18	75	M4	10-16-20-25-30-40	9-10-10-11-11-12
A583043.TM05X..01	51	43	33	17	11.5	9	29	32	6	18	75	M5	10-16-20-25-30-40	12-13-13-14-15-16
A583043.TM06X..01	51	43	33	17	11.5	9	29	32	6	18	75	M6	10-16-20-25-30-40-50	14-15-15,5-16-16,5-18-19,5
A583052.TM06X..01	63	52	41	22	15	12	36	40	8	23	90	M6	16-20-25-30-35-40-50	22-23-24-25-26-27-28
A583052.TM08X..01	63	52	41	22	15	12	36	40	8	23	90	M8	16-20-25-30-35-40-45-50	24-25-27-28,5-30-31,5-33-34,5
A583052.TM10X..01	63	52	41	22	15	12	36	40	8	23	90	M10	20-25-30-35-40-50	31-33,5-36-38,5-41-46
A583065.TM06X..01	76	65	43	23	15	13	36	40	8	24	90	M6	16-20-25-30-35-40-45-50	26-27-27-28-28-29-30
A583065.TM08X..01	76	65	43	23	15	13	36	40	8	24	90	M8	16-20-25-30-35-40-45-50	31,5-33-34,5-36-37,5-39-41-42,5-44
A583065.TM10X..01	76	65	43	23	15	13	36	40	8	24	90	M10	20-25-30-35-40-45-50	37-39,5-42-44,5-47-49,5-52
A583080.TM08X..01	93	80	54	27	19	15,5	44	48	8,5	29	90	M8	20-25-30-35-40-50	47-49-50,5-52-54-57
A583080.TM10X..01	93	80	54	27	19	15,5	44	48	8,5	29	90	M10	20-25-30-35-40-45-50	54-56,5-59-61,5-64-66,5-69-74-79
A583080.TM12X..01	93	80	54	27	19	15,5	44	48	8,5	29	90	M12	20-25-30-35-40-50-60-70	65-69-72-75-79-83-86-93-100-107
A583094.TM08X..01	109	94	56	30	19	18	45	49	9	30	90	M8	20-25-30-35-40-50	55-57-58-60-62-65
A583094.TM10X..01	109	94	56	30	19	18	45	49	9	30	90	M10	20-25-30-35	62-67-69-72
A583094.TM12X..01	109	94	56	30	19	18	45	49	9	30	90	M12	20-25-30-35-40-50-60-70	73-80-83-87-91-94-101-108-115
A583108.TM12X..01	125	108	64	34	24	21	51	55	10	35	100	M12	20-30-40-50-60-70	101-108-115-122-129-136
A583108.TM14X..01	125	108	64	34	24	21	51	55	10	35	100	M14	30-40-50-60	114-121-128-134
A583108.TM16X..01	125	108	64	34	24	21	51	55	10	35	100	M16	40-50-60	139-151-163

Enter the stud length in place of the two dots . . in the item code. Customised stud length available for a minimum of 50 pieces.

LM = Maximum mouldable length.



Arbel Agencies LTD.

11 Ba'alei Hamelacha st. Qiryat Bialik P.O.B 1095, ZIP 2751311, ISRAEL
+972(0)48736969 ☎ +972(0)48730708 📠 info@arbel-ltd.com 📧 www.arbel-ltd.com 🌐

