

# A581CIN NEW



## “EUROMODEL” INDEXED CLAMPING LEVER WITH STAINLESS STEEL THREADED STUD

INOX

**Materials:**  
Special technopolymer reinforced with high-strength glass fiber.  
Resistant to oils and greases.

**Surface finish:**  
Satin.

**Lever body and insert colour:**  
Black (RAL 9011).

**Inserts:**  
Stainless steel insert with threaded stud (Aisi 303) (thread tolerance 6g).

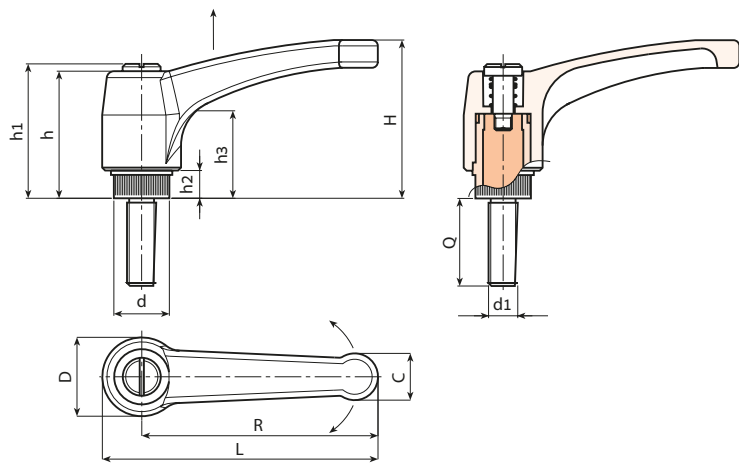
**Fixing screw:**  
Stainless steel screw (Aisi 303) with slotted head.

**Spring:**  
Stainless steel spring (Aisi 302).

**Alternative lever body colours:**  
Orange (RAL 2004 code 02).  
Blue (RAL 5015 code 07).  
Yellow (RAL 1021 code 10).  
Red (RAL 3000 code 16).  
Green (RAL 6024 code 17).  
Grey (RAL 7035 cod. 13).

**Special requests:**

- Upon request and for special quantities available in the colours indicated in the chart (attention: reduced range) [page].



INOX

Stock availability as % (🛒)  
90% (●) - 40% (●) - 5% (●)

Art.	L	R	H	D	d	c	h	h1	h2	h3	LM	d1 <sub>6g</sub>	Q	g
A581065.TM06X..01CIN	76	65	43	23	15	13	36	40	8	24	60	M6	20-30-40	40-42-44
A581065.TM08X..01CIN	76	65	43	23	15	13	36	40	8	24	60	M8	16-20-30-40	42-44-47-50
A581080.TM08X..01CIN	93	80	54	27	19	15.5	44	48	8.5	29	90	M8	20-30-40	66-69-72
A581080.TM10X..01CIN	93	80	54	27	19	15.5	44	48	8.5	29	90	M10	20-30-40	74-79-84
A581080.TM12X..01CIN	93	80	54	27	19	15.5	44	48	8.5	29	90	M12	20-30-40	89-95-101
A581094.TM10X..01CIN	109	94	56	30	19	18	45	49	9	30	90	M10	20-30-40	79-84-89
A581094.TM12X..01CIN	109	94	56	30	19	18	45	49	9	30	90	M12	20-30-40	96-101-106

Enter the selected stud length in place of the two dots . . in the item code. Customised stud length available for a minimum of 100 pieces.  
LM = Maximum mouldable length.



**Arbel Agencies LTD.**  
11 Ba'alei Hamelacha st. Qiryat Bialik P.O.B 1095, ZIP 2751311, ISRAEL  
+972(0)48736969 ☎ +972(0)48730708 📠 info@arbel-ltd.com 📧 www.arbel-ltd.com 🌐

