

A581



“EUROMODEL” INDEXED CLAMPING LEVER WITH THREADED STUD

Materials:

Special technopolymer reinforced with high-strength glass fiber.
Resistant to oils and greases.

Surface finish:

Satin.

Lever body and insert colour:

Black (RAL 9011).

Inserts:

Galvanised steel threaded stud (thread tolerance 6g).

Fixing screw:

Black oxide treated steel screw with hexagon socket head.
(R52-R94) Black oxide treated steel screw with slotted head.

Spring:

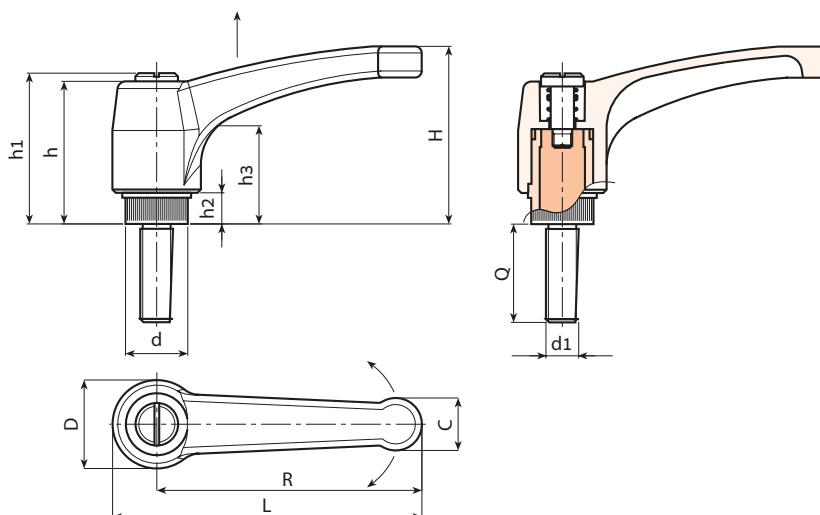
Stainless steel spring (Aisi 302).

Alternative lever body colours:

Orange (RAL 2004 code 02).
Blue (RAL 5015 code 07).
Yellow (RAL 1021 code 10).
Red (RAL 3000 code 16).
Green (RAL 6024 code 17).
Grey (RAL 7035 cod. 13).

Special requests:

- Upon request and for special quantities inserts can be supplied with customised lengths.
- Upon request and for special quantities inserts can be supplied in different materials.
- Upon request and for special quantities available in the colours indicated in the chart (attention: reduced range) [page].



Stock availability as % (🛒)
90% (●) - 40% (●) - 5% (●)

Art.	L	R	H	D	d	c	h	h1	h2	h3	LM	d16g	Q	📦
A581043.TM04X..01	51	43	33	17	11.5	9	29	32	6	18	60	M4	10-16-20-25-30-40	18-19-19-20-21-21,5
A581043.TM05X..01	51	43	33	17	11.5	9	29	32	6	18	60	M5	10-16-20-25-30-40	20-20-21-22-22-23
A581043.TM06X..01	51	43	33	17	11.5	9	29	32	6	18	60	M6	10-16-20-25-30-40-50	19-21-22-23-24-25-26
A581052.TM06X..01	63	52	41	22	15	12	36	40	8	23	60	M6	16-20-25-30-35-40-50	38-38-39-40-41-42-43
A581052.TM08X..01	63	52	41	22	15	12	36	40	8	23	60	M8	16-20-25-30-35-40-45-50	38-40-42-43-45-46-47-49
A581065.TM06X..01	76	65	43	23	15	13	36	40	8	24	60	M6	16-20-25-30-35-40-45-50	40-40-41-42-43-44-44-46
A581065.TM08X..01	76	65	43	23	15	13	36	40	8	24	60	M8	16-20-25-30-35-40-45-50	42-44-46-47-49-50-52-54
A581080.TM08X..01	93	80	54	27	19	15.5	44	48	8.5	29	90	M8	20-25-30-35-40-45-50	66-67-69-70,5-72-74-76
A581080.TM10X..01	93	80	54	27	19	15.5	44	48	8.5	29	90	M10	20-25-30-35-40-45-50	74-76,5-79-81,5-84-87
A581080.TM12X..01	93	80	54	27	19	15.5	44	48	8.5	29	90	M12	20-25-30-35-40-50	89-92-95-99-101-108
A581094.TM08X..01	109	94	56	30	19	18	45	49	9	30	90	M8	20-25-30-35-40-50	73-74-76-78-79-81
A581094.TM10X..01	109	94	56	30	19	18	45	49	9	30	90	M10	20-25-30-35-40-50	79-80-81-84-86-88
A581094.TM12X..01	109	94	56	30	19	18	45	49	9	30	90	M12	20-25-30-35-40-50-60-70	96-97-99-102-106-108-115-123-130
A581108.TM12X..01	125	108	64	34	24	21	51	55	10	35	90	M12	20-30-40-50-60-70	137-144-151-158-165-172
A581108.TM14X..01	125	108	64	34	24	21	51	55	10	35	90	M14	30-40-50-60	150-157-164-171
A581108.TM16X..01	125	108	64	34	24	21	51	55	10	35	90	M16	40-50-60	175-187-199

Enter the selected stud length in place of the two dots . . in the item code. Customised stud length available for a minimum of 100 pieces.

LM = Maximum mouldable length.



Arbel Agencies LTD.

11 Ba'alei Hamelacha st. Qiryat Bialik P.O.B 1095, ZIP 2751311, ISRAEL
+972(0)48736969 ☎ +972(0)48730708 📠 info@arbel-ltd.com 📧 www.arbel-ltd.com 🌐

