

A580CIN NEW



“EUROMODEL” INDEXED CLAMPING LEVER WITH STAINLESS STEEL THREADED INSERT

INOX

Materials:

Special technopolymer reinforced with high-strength glass fiber.
Resistant to oils and greases.

Surface finish:

Satin.

Lever body and insert colour:

Black (RAL 9011).

Inserts:

Stainless steel insert with female threaded hole (Aisi 303) (thread tolerance 6H).

Fixing screw:

Stainless steel screw (Aisi 303) with slotted head.

Spring:

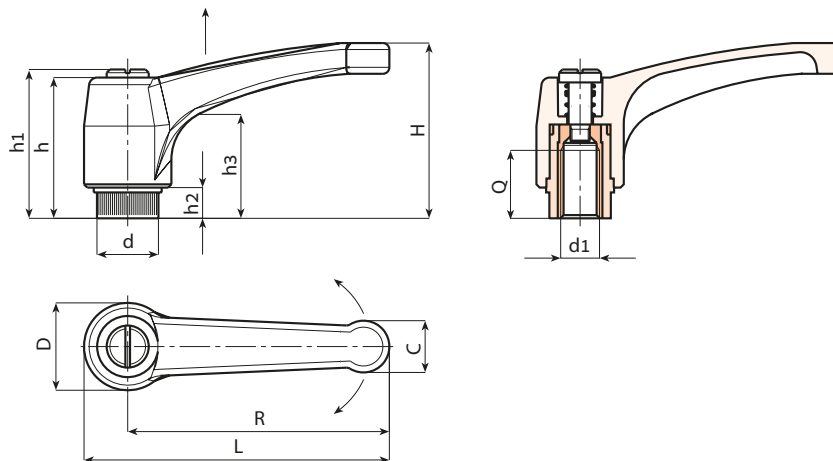
Stainless steel spring (Aisi 302).

Alternative lever body colours:

- Orange (RAL 2004 code 02).
- Blue (RAL 5015 code 07).
- Yellow (RAL 1021 code 10).
- Red (RAL 3000 code 16).
- Green (RAL 6024 code 17).
- Grey (RAL 7035 cod. 13).

Special requests:

- Upon request and for special quantities available in the colours indicated in the chart (attention: reduced range) [page].



INOX

Stock availability as % (🛒)
90% (●) - 40% (●) - 5% (●)

| 🛒 | Art. | L | R | H | D | d | c | h | h1 | h2 | h3 | d16H | Q | 🛒 |
|---|-------------------|-----|----|----|----|----|------|----|----|-----|----|------|----|----|
| ● | A580065.TM0601CIN | 76 | 65 | 43 | 23 | 15 | 13 | 36 | 40 | 8 | 24 | M6 | 14 | 36 |
| ● | A580065.TM0801CIN | 76 | 65 | 43 | 23 | 15 | 13 | 36 | 40 | 8 | 24 | M8 | 14 | 35 |
| ● | A580065.TM1001CIN | 76 | 65 | 43 | 23 | 15 | 13 | 36 | 40 | 8 | 24 | M10 | 14 | 35 |
| ● | A580080.TM0801CIN | 93 | 80 | 54 | 27 | 19 | 15.5 | 44 | 48 | 8.5 | 29 | M8 | 19 | 55 |
| ● | A580080.TM1001CIN | 93 | 80 | 54 | 27 | 19 | 15.5 | 44 | 48 | 8.5 | 29 | M10 | 19 | 54 |
| ● | A580080.TM1201CIN | 93 | 80 | 54 | 27 | 19 | 15.5 | 44 | 48 | 8.5 | 29 | M12 | 19 | 54 |
| ● | A580094.TM0801CIN | 109 | 94 | 56 | 30 | 19 | 18 | 45 | 49 | 9 | 30 | M8 | 19 | 80 |
| ● | A580094.TM1001CIN | 109 | 94 | 56 | 30 | 19 | 18 | 45 | 49 | 9 | 30 | M10 | 19 | 81 |
| ● | A580094.TM1201CIN | 109 | 94 | 56 | 30 | 19 | 18 | 45 | 49 | 9 | 30 | M12 | 19 | 83 |

