

# A580



## "EUROMODEL" INDEXED CLAMPING LEVER WITH THREADED INSERT

### Materials:

Special technopolymer reinforced with high-strength glass fiber.  
Resistant to oils and greases.

### Surface finish:

Satin.

### Lever body and insert colour:

Black (RAL 9011).

### Inserts:

Galvanised steel insert with female threaded hole (thread tolerance 6H).

### Fixing screw:

Black oxide treated steel screw with hexagon socket head.  
(\*) Black oxide treated steel screw with slotted head.

### Spring:

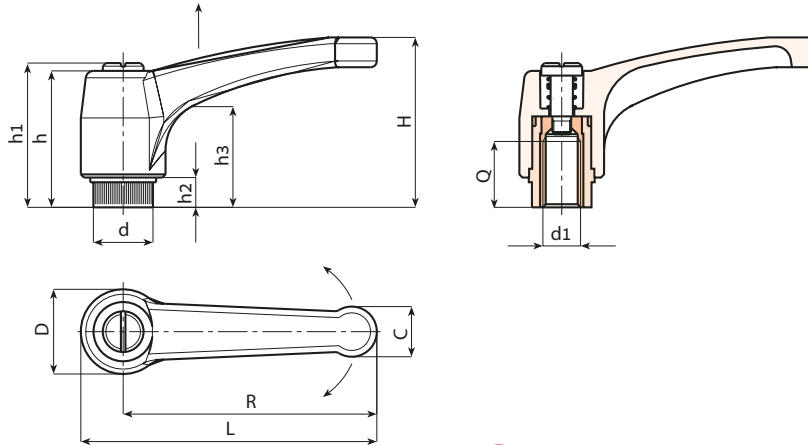
Stainless steel spring (Aisi 302).

### Alternative lever body colours:

Orange (RAL 2004 code 02).  
Blue (RAL 5015 code 07).  
Yellow (RAL 1021 code 10).  
Red (RAL 3000 code 16).  
Green (RAL 6024 code 17).  
Grey (RAL 7035 cod. 13).

### Special requests:

- Upon request and for special quantities inserts can be supplied in different materials.
- Upon request and for special quantities available in the colours indicated in the chart (attention: reduced range) [page].



Stock availability as % (🛒)  
90% (●) -40% (●) -5% (●)

| 🛒 | Art.            | L   | R   | H  | D  | d    | c    | h  | h1 | h2  | h3 | d16H | Q  | 📦   |
|---|-----------------|-----|-----|----|----|------|------|----|----|-----|----|------|----|-----|
| ● | A580043.TM0401  | 51  | 43  | 33 | 17 | 11.5 | 9    | 29 | 32 | 6   | 18 | M4   | 8  | 15  |
| ● | A580043.TM0501  | 51  | 43  | 33 | 17 | 11.5 | 9    | 29 | 32 | 6   | 18 | M5   | 10 | 15  |
| ● | A580043.TM0601  | 51  | 43  | 33 | 17 | 11.5 | 9    | 29 | 32 | 6   | 18 | M6   | 10 | 14  |
| ● | *A580052.TM0601 | 63  | 52  | 41 | 22 | 15   | 12   | 36 | 40 | 8   | 23 | M6   | 14 | 31  |
| ● | *A580052.TM0801 | 63  | 52  | 41 | 22 | 15   | 12   | 36 | 40 | 8   | 23 | M8   | 14 | 30  |
| ● | *A580052.TM1001 | 63  | 52  | 41 | 22 | 15   | 12   | 36 | 40 | 8   | 23 | M10  | 14 | 30  |
| ● | A580065.TM0601  | 76  | 65  | 43 | 23 | 15   | 13   | 36 | 40 | 8   | 24 | M6   | 14 | 36  |
| ● | A580065.TM0801  | 76  | 65  | 43 | 23 | 15   | 13   | 36 | 40 | 8   | 24 | M8   | 14 | 35  |
| ● | A580065.TM1001  | 76  | 65  | 43 | 23 | 15   | 13   | 36 | 40 | 8   | 24 | M10  | 14 | 35  |
| ● | A580080.TM0801  | 93  | 80  | 54 | 27 | 19   | 15.5 | 44 | 48 | 8.5 | 29 | M8   | 19 | 55  |
| ● | A580080.TM1001  | 93  | 80  | 54 | 27 | 19   | 15.5 | 44 | 48 | 8.5 | 29 | M10  | 19 | 54  |
| ● | A580080.TM1201  | 93  | 80  | 54 | 27 | 19   | 15.5 | 44 | 48 | 8.5 | 29 | M12  | 19 | 54  |
| ● | *A580094.TM0801 | 109 | 94  | 56 | 30 | 19   | 18   | 45 | 49 | 9   | 30 | M8   | 19 | 80  |
| ● | *A580094.TM1001 | 109 | 94  | 56 | 30 | 19   | 18   | 45 | 49 | 9   | 30 | M10  | 19 | 81  |
| ● | *A580094.TM1201 | 109 | 94  | 56 | 30 | 19   | 18   | 45 | 49 | 9   | 30 | M12  | 19 | 83  |
| ● | A580108.TM1201  | 125 | 108 | 64 | 34 | 24   | 21   | 51 | 55 | 10  | 35 | M12  | 22 | 144 |
| ● | A580108.TM1401  | 125 | 108 | 64 | 34 | 24   | 21   | 51 | 55 | 10  | 35 | M14  | 21 | 146 |
| ● | A580108.TM1601  | 125 | 108 | 64 | 34 | 24   | 21   | 51 | 55 | 10  | 35 | M16  | 23 | 149 |

Arbel Agencies LTD.



11 Ba'alei Hamelacha st. Qiryat Bialik P.O.B 1095, ZIP 2751311, ISRAEL  
+972(0)48736969 ☎ +972(0)48730708 📠 info@arbel-ltd.com 📧 www.arbel-ltd.com 🌐

