

A572



INDEXED CLAMPING LEVER WITH 90° ARM AND THREADED INSERT

Materials:

Special technopolymer reinforced with high-strength glass fiber.
Resistant to oils and greases.

Surface finish:

Satin.

Lever body and insert colour:

Black (RAL 9011).

Inserts:

Galvanised steel insert with female threaded hole (thread tolerance 6H).

Fixing screw:

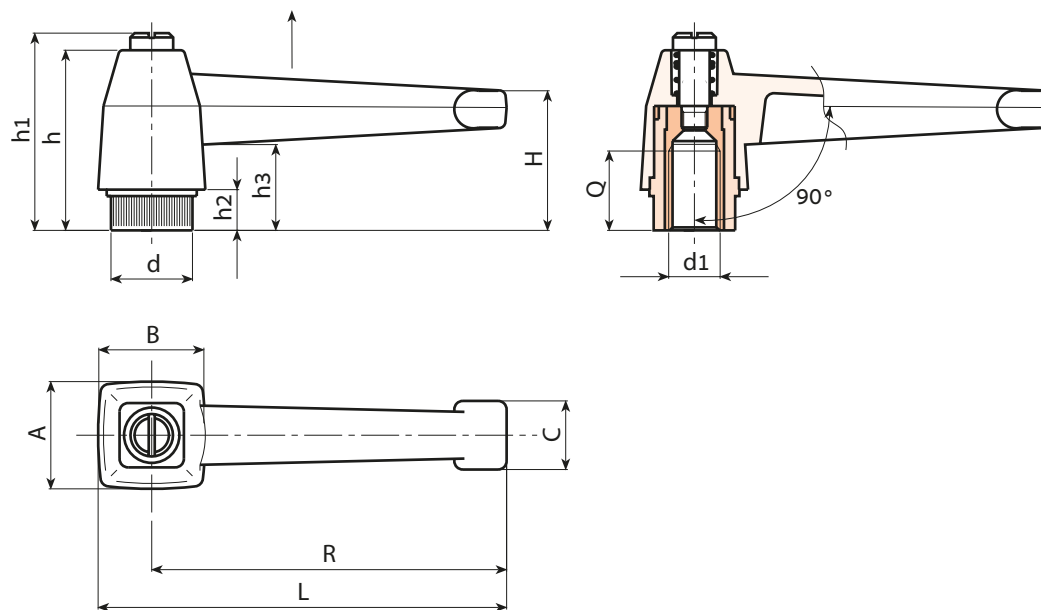
Black oxide treated steel screw with slotted head.

Spring:

Stainless steel spring (Aisi 302).

Special requests:

- Upon request and for special quantities inserts can be supplied in different materials.
- Upon request and for special quantities available in the colours indicated in the chart (attention: reduced range) [page].



Stock availability as % (🛒)

90% (●) - 40% (●) - 5% (●)

🛒	Art.	L	R	H	A	B	c	h	h1	h2	h3	d16H	Q	🛒
●	A572083.TM0801	94	83	33.5	25	25	16	42	47	10	21	M8	17	52
●	A572083.TM1001	94	83	33.5	25	25	16	42	47	10	21	M10	17	48
●	A572083.TM1201	94	83	33.5	25	25	16	42	47	10	21	M12	16	48