

# A563CIN



INOX

## INDEXED CLAMPING LEVER WITH BUTTON AND THREADED STAINLESS STEEL STUD

### Materials:

Special technopolymer reinforced with high-strength glass fiber.  
Resistant to oils and greases.

### Surface finish:

Satin.

### Lever body and insert colour:

Black (RAL 9011).

### Inserts:

Stainless steel threaded stud (Aisi 303) (thread tolerance 6g).

### Button:

Black polyamide button (RAL 9011).

### Alternative lever body and button colours:

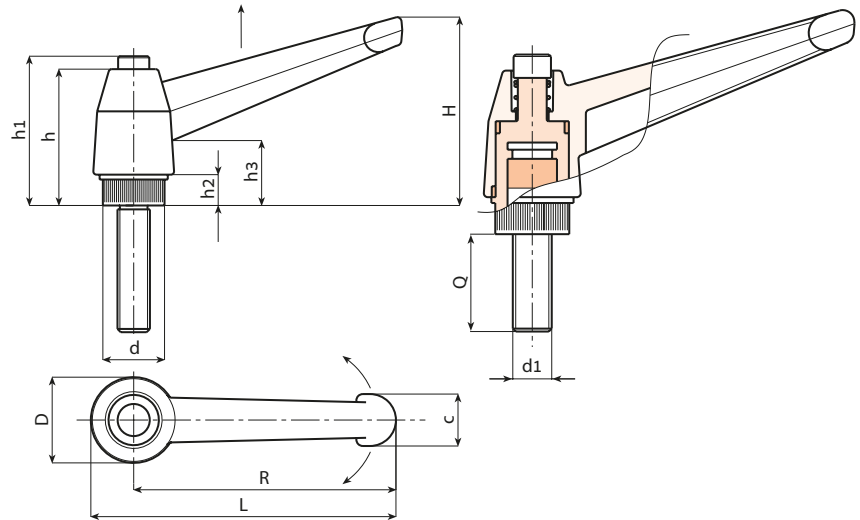
Orange (RAL 2004 code 02).  
Blue (RAL 5015 code 07).  
Yellow (RAL 1021 code 10).  
Red (RAL 3000 code 16).  
Green (RAL 6024 code 17).  
Grey (RAL 7035 cod. 13).

### Spring:

Stainless steel spring (Aisi 302).

### Special requests:

- Upon request and for special quantities inserts can be supplied with customised lengths.
- Upon request and for special quantities available in the colours indicated in the chart (attention: reduced range) [page ].



INOX

Stock availability as % (🛒)  
90% (●) - 40% (●) - 5% (●)

Art.	L	R	H	D	d	c	h	h1	h2	h3	LM	d1 <sup>6g</sup>	Q	g
A563043.TM04X..01CIN	52	43	33	17	11.5	11	27	30	6	14	75	M4	16-20-30	10-11-12
A563043.TM05X..01CIN	52	43	33	17	11.5	11	27	30	6	14	75	M5	16-20-30	14-15-16
A563043.TM06X..01CIN	52	43	33	17	11.5	11	27	30	6	14	75	M6	16-20-30	15-16-18
A563065.TM06X..01CIN	77	65	45	23	15	13	34	38	8	17	90	M6	16-20-30-40	24-25-27-29
A563065.TM08X..01CIN	77	65	45	23	15	13	34	38	8	17	90	M8	16-20-30-40	27-28-31-34
A563065.TM10X..01CIN	77	65	45	23	15	13	34	38	8	17	90	M10	16-20-30-40	30-33-38-43
A563083.TM08X..01CIN	97	83	57	27	19	16	43	47	10	23	90	M8	20-30-40-50	44-47-50-53
A563083.TM10X..01CIN	97	83	57	27	19	16	43	47	10	23	90	M10	20-30-40-50	52-57-62-67
A563083.TM12X..01CIN	97	83	57	27	19	16	43	47	10	23	90	M12	20-30-40-50	61-64-71-78
A563104.TM12X..01CIN	121	104	70	33	24	19	50	53	11	26	100	M12	20-30-40-50	86-93-101-108
A563104.TM14X..01CIN	121	104	70	33	24	19	50	53	11	26	100	M14	20-30-40-50	92-102-112-122
A563104.TM16X..01CIN	121	104	70	33	24	19	50	53	11	26	100	M16	20-30-40-50	111-122-134-146

Enter the selected stud length in place of the two dots . . in the item code. Customised stud length available for a minimum of 50 pieces.

LM = Maximum mouldable length.



Arbel Agencies LTD.

11 Ba'alei Hamelacha st. Qiryat Bialik P.O.B 1095, ZIP 2751311, ISRAEL  
+972(0)48736969 ☎ +972(0)48730708 📠 info@arbel-ltd.com 📧 www.arbel-ltd.com 🌐

