

A563



INDEXED CLAMPING LEVER WITH BUTTON AND THREADED STUD

Materials:

Special technopolymer reinforced with high-strength glass fiber.
Resistant to oils and greases.

Surface finish:

Satin.

Lever body and insert colour:

Black (RAL 9011).

Inserts:

Galvanised steel threaded stud (thread tolerance 6g).

Button:

Black polyamide button (RAL 9011).

Spring:

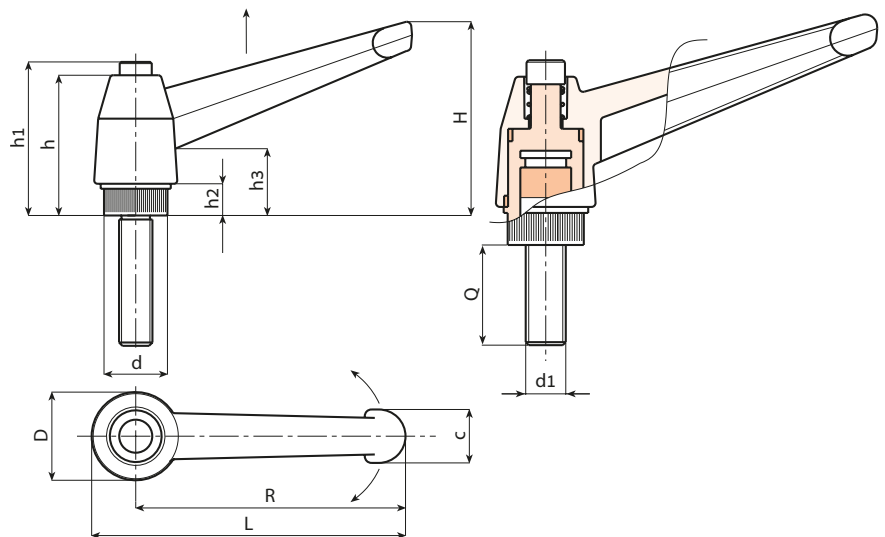
Stainless steel spring (Aisi 302).

Alternative lever body and button colours:

Orange (RAL 2004 code 02).
Blue (RAL 5015 code 07).
Yellow (RAL 1021 code 10).
Red (RAL 3000 code 16).
Green (RAL 6024 code 17).
Grey (RAL 7035 cod. 13).

Special requests:

- Upon request and for special quantities inserts can be supplied with customised lengths.
- Upon request and for special quantities inserts can be supplied in different materials.
- Upon request and for special quantities available in the colours indicated in the chart (attention: reduced range) [page].



Stock availability as % (🛒)
90% (●) - 40% (●) - 5% (●)

Art.	L	R	H	D	d	c	h	h1	h2	h3	LM	d1 _{6g}	Q	g
A563043.TM04X..01	52	43	33	17	11.5	11	27	30	6	14	75	M4	10-16-20-25-30-40	8-8-9-9-10-11
A563043.TM05X..01	52	43	33	17	11.5	11	27	30	6	14	75	M5	10-16-20-25-30-40	11-12-13-13-14-14
A563043.TM06X..01	52	43	33	17	11.5	11	27	30	6	14	75	M6	10-16-20-25-30-35-40-50	11-12-14-15-16-17-18-20
A563065.TM06X..01	77	65	45	23	15	13	34	38	8	17	90	M6	16-20-25-30-35-40-45-50	22-23-24-25-26-27-28-29
A563065.TM08X..01	77	65	45	23	15	13	34	38	8	17	90	M8	16-20-25-30-35-40-45-50	25-26-27-29-30-32-33-35
A563065.TM10X..01	77	65	45	23	15	13	34	38	8	17	90	M10	20-25-30-35-40-50	31-33-36-39-41-46
A563083.TM08X..01	97	83	57	27	19	16	43	47	10	23	90	M8	20-25-30-35-40-50-60-70	42-44-45-47-48-51-54-57
A563083.TM10X..01	97	83	57	27	19	16	43	47	10	23	90	M10	20-25-30-35-40-45-50-60-70	50-53-55-57-60-63-65-70-75
A563083.TM12X..01	97	83	57	27	19	16	43	47	10	23	90	M12	20-25-30-35-40-50-60-70	62-65-69-72-76-83-90-97
A563104.TM12X..01	121	104	70	33	24	19	50	53	11	26	100	M12	20-25-30-35-40-50-60-70	84-87-91-96-98-105-112-119
A563104.TM14X..01	121	104	70	33	24	19	50	53	11	26	100	M14	20-25-30-35-40-50-60-70	90-95-100-105-110-120-130-140
A563104.TM16X..01	121	104	70	33	24	19	50	53	11	26	100	M16	20-30-40-50-60	108-120-132-146-158

Enter the selected stud length in place of the two dots . . in the item code. Customised stud length available for a minimum of 50 pieces.