

A562CIN



INDEXED CLAMPING LEVER WITH BUTTON AND THREADED STAINLESS STEEL INSERT

INOX

Materials:

Special technopolymer reinforced with high-strength glass fiber.
Resistant to oils and greases.

Surface finish:

Satin.

Lever body and insert colour:

Black (RAL 9011).

Inserts:

Stainless steel insert with female threaded hole (Aisi 303) (thread tolerance 6H).

Button:

Black polyamide button (RAL 9011).

Alternative lever body and button colours:

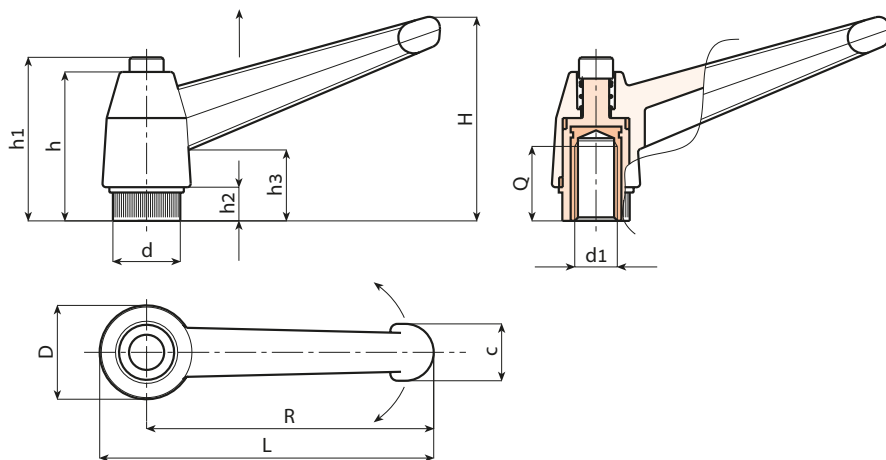
Orange (RAL 2004 code 02).
Blue (RAL 5015 code 07).
Yellow (RAL 1021 code 10).
Red (RAL 3000 code 16).
Green (RAL 6024 code 17).
Grey (RAL 7035 cod. 13).

Spring:

Stainless steel spring (Aisi 302).

Special requests:

- Upon request and for special quantities available in the colours indicated in the chart (attention: reduced range) [page].



INOX

Stock availability as % (🛒)
90% (●) - 40% (●) - 5% (●)

🛒	Art.	L	R	H	D	d	c	h	h1	h2	h3	d16H	Q	🛒
●	A562043.TM0401CIN	52	43	33	17	11.5	11	27	30	6	14	M4	10	14
●	A562043.TM0501CIN	52	43	33	17	11.5	11	27	30	6	14	M5	9	14
●	A562043.TM0601CIN	52	43	33	17	11.5	11	27	30	6	14	M6	9	14
●	A562065.TM0601CIN	77	65	45	23	15	13	34	38	8	17	M6	15	28
●	A562065.TM0801CIN	77	65	45	23	15	13	34	38	8	17	M8	15	26
●	A562083.TM0801CIN	97	83	57	27	19	16	43	47	10	23	M8	17	52
●	A562083.TM1001CIN	97	83	57	27	19	16	43	47	10	23	M10	17	48
●	A562083.TM1201CIN	97	83	57	27	19	16	43	47	10	23	M12	16	48
●	A562104.TM1001CIN	121	104	70	33	24	19	50	53	11	26	M10	20	114
●	A562104.TM1201CIN	121	104	70	33	24	19	50	53	11	26	M12	22	106
●	A562104.TM1401CIN	121	104	70	33	24	19	50	53	11	26	M14	21	100
●	A562104.TM1601CIN	121	104	70	33	24	19	50	53	11	26	M16	23	100