

# A530

## "EUROMODEL" FIXED LEVER WITH THREADED INSERT



### Materials:

Special technopolymer reinforced with high-strength glass fiber.  
Resistant to oils and greases.

### Surface finish:

Satin.

### Colour:

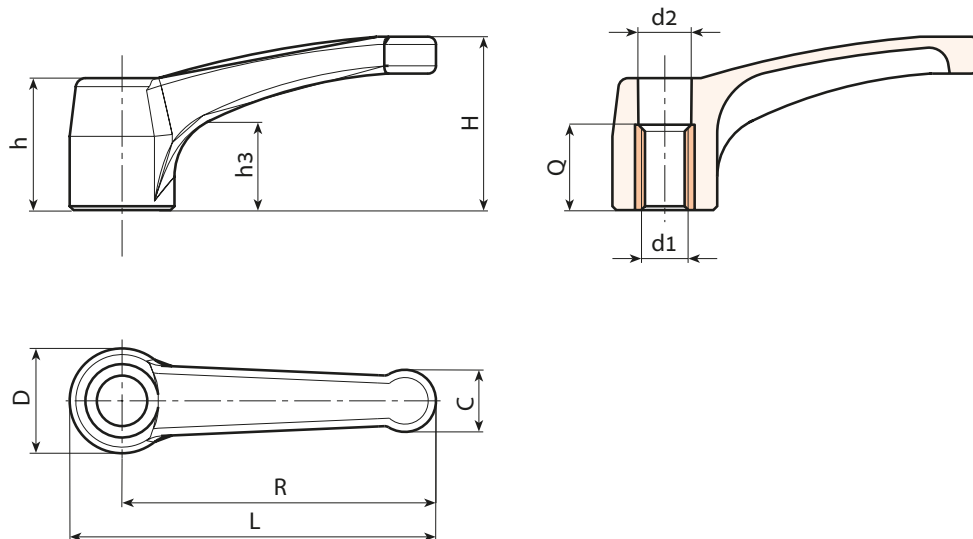
Black (RAL 9011).

### Inserts:

Brass insert with female threaded hole (thread tolerance 6H).

### Special requests:

- Upon request and for special quantities inserts can be supplied in different materials.
- Upon request and for special quantities available in the colours indicated in the chart [page].



Art.	L	R	H	D	c	h	h1	d2	d16H	Q	9
A530094.TM1201	109	94	48.5	30	18	35.5	49	16	M12	22	81