

A529

FIXED LEVER WITH THREADED STUD



Materials:

Reinforced polyamide.
Resistant to oils and greases.

Surface finish:

Satin.

Colour:

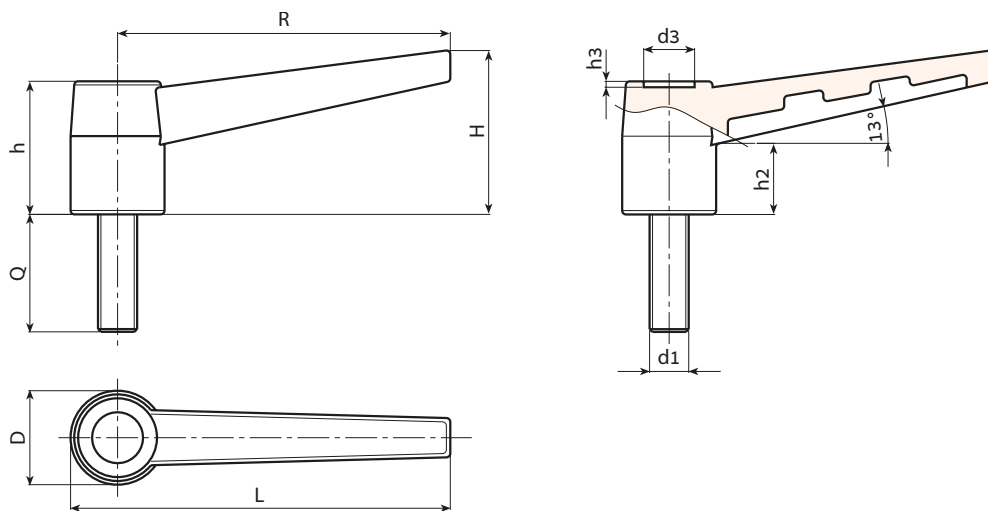
Black (RAL 9011).

Inserts:

Galvanised steel threaded stud (thread tolerance 6g).

Special requests:

- Upon request and for special quantities inserts can be supplied with customised lengths.
- Upon request and for special quantities inserts can be supplied in different materials.
- Upon request and for special quantities available in the colours indicated in the chart [page].



Stock availability as % (🛒)
90% (●) - 40% (●) - 5% (●)

Art.	L	R	H	D	h	h2	h3	d3	LM	d1 _{6g}	Q	📦
A52943.TM05X..01	50	43	21.5	15	19	9	1	7	30	M5	10-20-30	9-10-11
A52943.TM06X..01	50	43	21.5	15	19	9	1	7	30	M6	10-20-30-40	10-12-14-16
A52968.TM06X..01	78	68	36	21	28.5	11	2	10	50	M6	10-20	25-27
A52968.TM08X..01	78	68	36	21	28.5	11	2	10	50	M8	16-20-30-40	30-32-36-39
A52983.TM06X..01	93	83	40	24	34	18	2	13	60	M6	A.R.	-
A52983.TM08X..01	93	83	40	24	34	18	2	13	60	M8	20-30-40-60	44-47-50-56
A52983.TM10X..01	93	83	40	24	34	18	2	13	60	M10	20-30-40	48-53-58

Enter the selected stud length in place of the two dots . . in the item code. Customised stud length available for a minimum of 150 pieces.

A.R. = Upon request, for a minimum of 150 pieces.

LM = Maximum mouldable length.