

A528

FIXED LEVER WITH THREADED INSERT



Materials:
Reinforced polyamide.
Resistant to oils and greases.

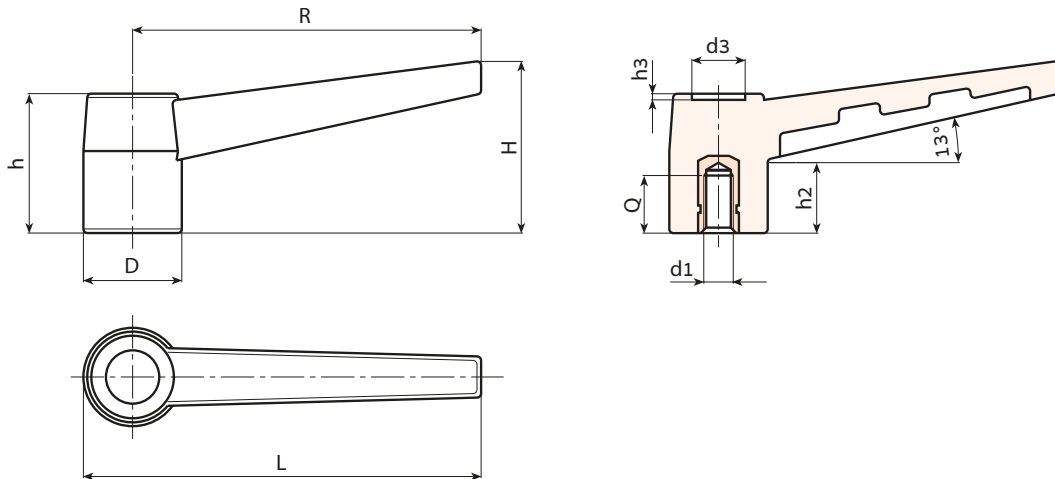
Surface finish:
Satin.

Colour:
Black (RAL 9011).

Inserts:
Brass insert with female threaded hole (thread tolerance 6H).

Special requests:

- Upon request and for special quantities inserts can be supplied in different materials.
- Upon request and for special quantities available in the colours indicated in the chart [page].



Stock availability as % (🛒)
90% (●) - 40% (●) - 5% (●)

🛒	Art.	L	R	H	D	h	h2	h3	d3	d16H	Q	📦
●	A52843.TM0501	50	43	21.5	15	19	9	1	7	M5	10	8
●	A52843.TM0601	50	43	21.5	15	19	9	1	7	M6	10	8
●	A52868.TM0601	78	68	36	21	28.5	11	2	10	M6	10	24
●	A52868.TM0801	78	68	36	21	28.5	11	2	10	M8	15	22
●	A52883.TM0601	93	83	40	24	34	18	2	13	M6	10	30
●	A52883.TM0801	93	83	40	24	34	18	2	13	M8	15	32
●	A52883.TM1001	93	83	40	24	34	18	2	13	M10	14	32