

A525

FIXED LEVER WITH THREADED STUD



Materials:

Reinforced polyamide.
Resistant to oils and greases.

Surface finish:

Satin.

Colour:

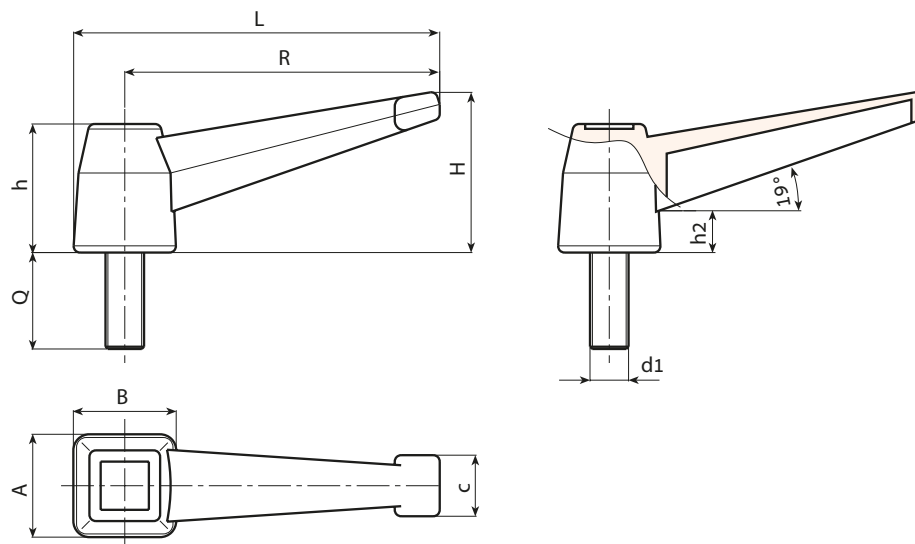
Black (RAL 9011).

Inserts:

Galvanised steel threaded stud (thread tolerance 6g).

Special requests:

- Upon request and for special quantities inserts can be supplied with customised lengths.
- Upon request and for special quantities inserts can be supplied in different materials.



Stock availability as % (🛒)
90% (●) - 40% (●) - 5% (●)

🛒	Art.	L	R	H	A	B	c	h	h2	LM	d1 _{6g}	Q	📦
●	A52598.TM10X4001	112	96	51	32	32	19	40	12	100	M10	40	90
●	A52598.TM12X4001	112	96	51	32	32	19	40	12	100	M12	40	104
●	A52598.TM14X..01	112	96	51	32	32	19	40	12	100	M14	A.R.	-
●	A52598.TM16X4001	112	96	51	32	32	19	40	12	100	M16	40	164

Enter the selected stud length in place of the two dots . . in the item code. Customised stud length available for a minimum of 150 pieces.

A.R. = Upon request, for a minimum of 150 pieces.

LM = Maximum mouldable length.